

# TREE CONSOLE

W/ SHELF  
ASSEMBLY INSTRUCTION

W0UD

THE IDEA OF THE TREE TABLES CAME UP DURING A WALK IN THE FOREST AROUND PARIS. I WAS SEIZED BY THE LIGHTNESS OF THE TREES AND I WANTED TO REPRODUCE THIS PHENOMENON. I THEN THOUGHT OF A TABLE WHOSE TOP BOARD WOULD FUNCTION LIKE THE CANOPY OF TREES ALL THE WHILE BEING SUPPORTED BY A BUNDLE OF STEMS. HOPE YOU WILL ENJOY YOUR TABLE FOR MANY YEARS TO COME.

A large, stylized handwritten signature in black ink, appearing to read 'Elisabeth Herzfeld'. The signature is fluid and expressive, with long, sweeping strokes and some overlapping letters.

ELISABETH HERZFELD

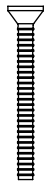
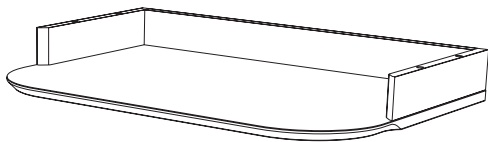
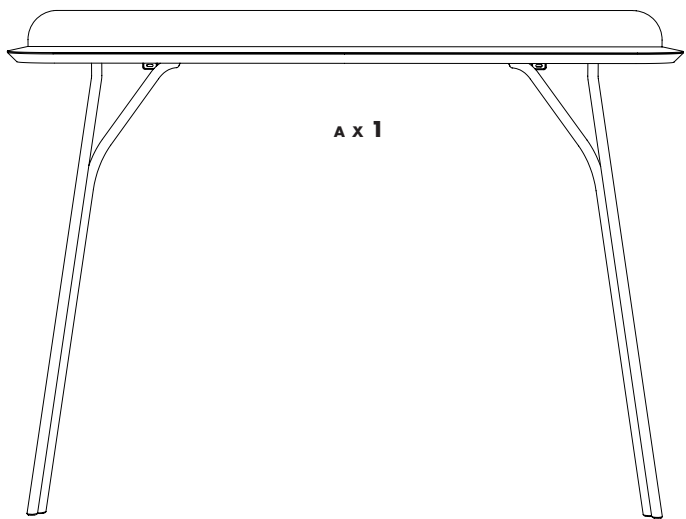
**TAKE CARE**

**WE HAVE NOW HANDED OVER  
ONE OF OUR DARLINGS TO YOU.  
NOW IT IS YOURS. TAKE GOOD  
CARE OF IT. YOU CAN READ THE  
CARE INSTRUCTIONS FOR ALL  
OUR MATERIALS AT OUR WEBSITE.**

**WLOUD.DK/TAKECARE**

# **ASSEMBLY INSTRUCTION**

**PLEASE GO THROUGH THE FOLLOWING  
STEPS CAREFULLY. RETAIN THIS MANUAL  
FOR FUTURE REFERENCE TO ENSURE THAT  
YOUR NEW ITEM IS CORRECTLY ASSEMBLED  
IN CASE IT SHOULD BE DISASSEMBLED OR  
MOVED. WE ARE NOT RESPONSIBLE FOR  
ANY FAULTS OR DAMAGES CAUSED BY  
NOT FOLLOWING THESE INSTRUCTIONS  
CORRECTLY.**



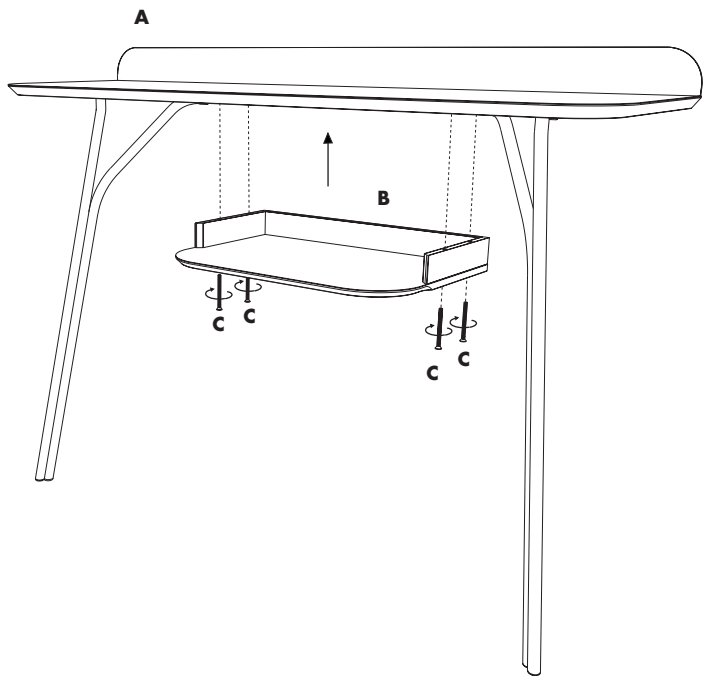
# TOOLS NEEDED

IMPORTANT!  
USE TOOLS SUITABLE FOR SCREWS.



# STEP 1

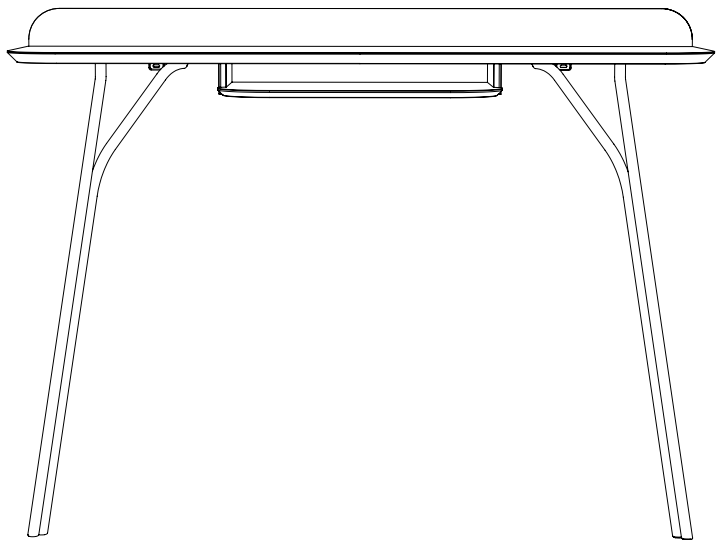
PLACE THE SHELF (B) UNDER THE TABLE TOP (A) AND SCREW (C) THE SHELF TO THE BOTTOM.





## STEP 2

NOW YOU JUST NEED TO PLACE YOUR FAVORITE ITEMS  
ON THE TABLE AND ENJOY.



DESIGNED BY  
**ELISABETH HERTZFELD**