

LA TERRA

ASSEMBLY INSTRUCTION

WUOD

**'LA TERRA' MEANS 'THE EARTH'
IN ITALIAN AND REFERS TO THE
ORGANIC SHAPES AND NATURAL,
RICH MATERIALS OF THE TABLES.**

**MADE FROM TRAVERTINE, EVERY
SURFACE IS UNIQUE AS THE PLAY
OF COLOURS VARIES IN THE
NATURAL MATERIAL, SELECTED
TO BRING A TOUCH OF NATURE
AND CALM INTO ANY SPACE.
SHOWING THE PERFECT
IMPERFECTION OF NATURE.**

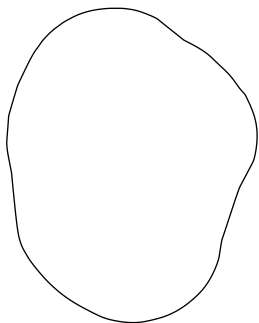
A handwritten signature in black ink that reads "Agnes Morguet". The script is fluid and cursive, with the first letter of each name being significantly larger and more stylized than the others.

AGNES MORGUET

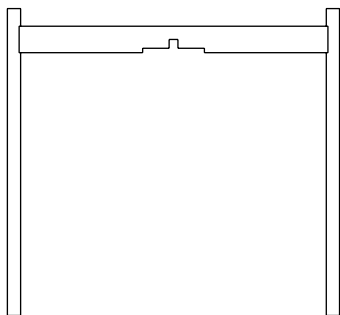
TAKE CARE

**WE HAVE NOW HANDED OVER
ONE OF OUR DARLINGS TO YOU.
NOW IT IS YOURS. TAKE GOOD
CARE OF IT. YOU CAN READ THE
CARE INSTRUCTIONS FOR ALL
OUR MATERIALS AT OUR WEBSITE.**

WOUD.DK/TAKECARE



A x 1



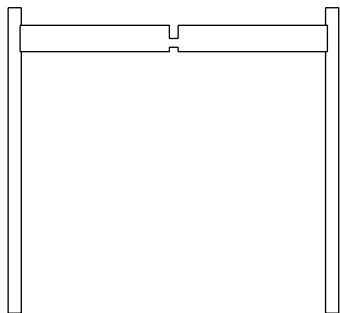
B x 1



C x 1



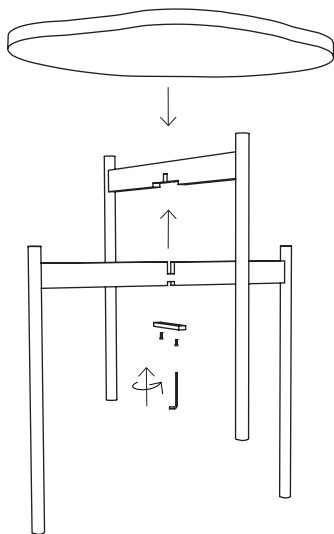
D x 1



D x 1

STEP 1

MOUNT THE HANDLE (D) AND THE LEG (B) TO THE TABLE TOP
MOUNT THE LAST TWO LEGS (C) TO THE TABLE TOP.



SAFETY WARNING

DO NOT STAND ON THE TABLE



DESIGNED BY
AGNES MORGUET