

KNAEGT

ASSEMBLY INSTRUCTION

WOUD

**KNAEGT WILL MEET YOU WITH A SMILE
EVERY DAY AND DEAL WITH WHATEVER
YOU WANT TO GET OF YOUR HAND
WHEN RUSHING OUT THE DOOR. THE
SIMPLE REPETITION OF THE WOODEN
STICKS MOVES GENTLY WHEN YOU
HANG YOUR CLOTHES WHILE BRINGING
A LITTLE SOUL AND A LOT OF STYLE TO
YOUR HALLWAY OR BEDROOM. I HOPE
YOU WILL ENJOY AND TAKE CARE OF
YOUR NEW COAT RACK.**

A handwritten signature in black ink, appearing to read 'R. Palmerston'. The signature is fluid and cursive, with a large, looping initial 'R' and a long, sweeping underline that extends below the printed name.

RIKKE PALMERSTON

ASSEMBLY INSTRUCTION

**PLEASE GO THROUGH THE FOLLOWING
STEPS CAREFULLY. RETAIN THIS MANUAL
FOR FUTURE REFERENCE TO ENSURE THAT
YOUR NEW ITEM IS CORRECTLY ASSEMBLED
IN CASE IT SHOULD BE DISASSEMBLED OR
MOVED. WE ARE NOT RESPONSIBLE FOR
ANY FAULTS OR DAMAGES CAUSED BY
NOT FOLLOWING THESE INSTRUCTIONS
CORRECTLY.**



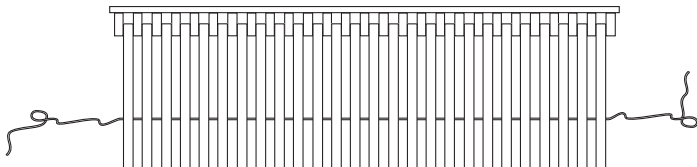
A X 2



B X 6

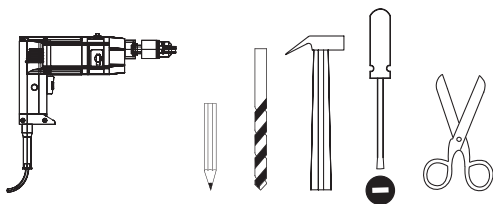


C X 6



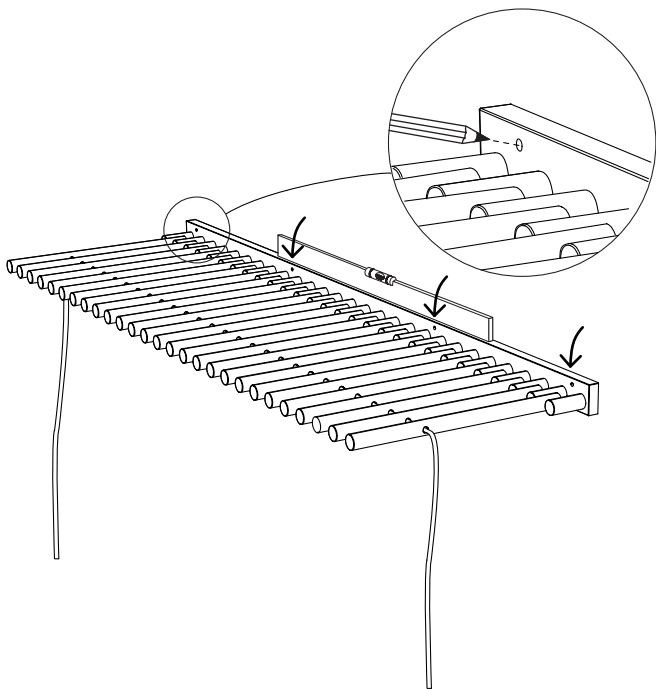
D X 1

TOOLS NEEDED



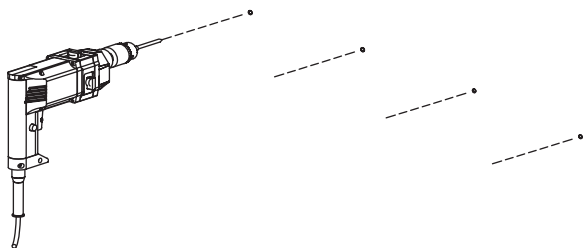
STEP 1

PLACE AND LEVEL THE COAT RACK ON THE WALL
AND THEN MARK THE FOUR HOLES



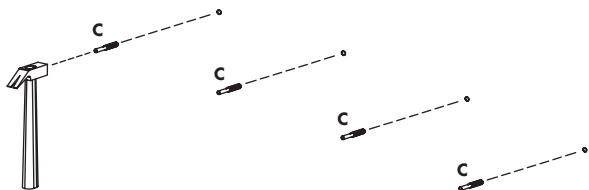
STEP 2

DRILL FOUR HOLES IN THE WALL AT THE MARKED SPOTS



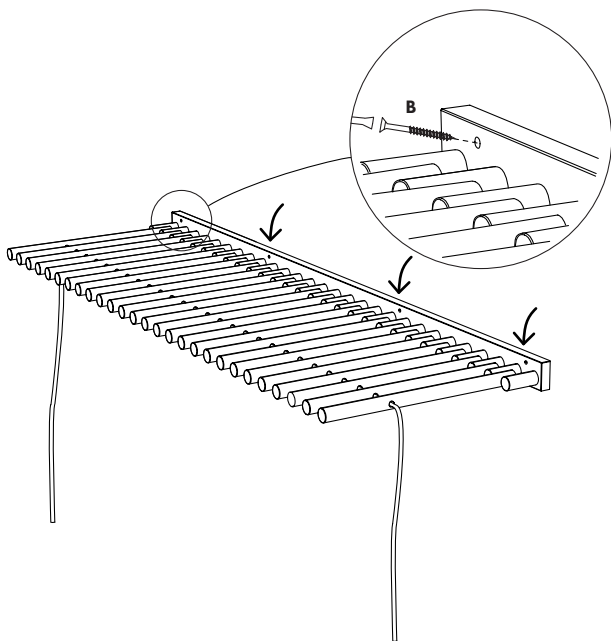
STEP 3

APPLY THE FOUR WALL PLUGS



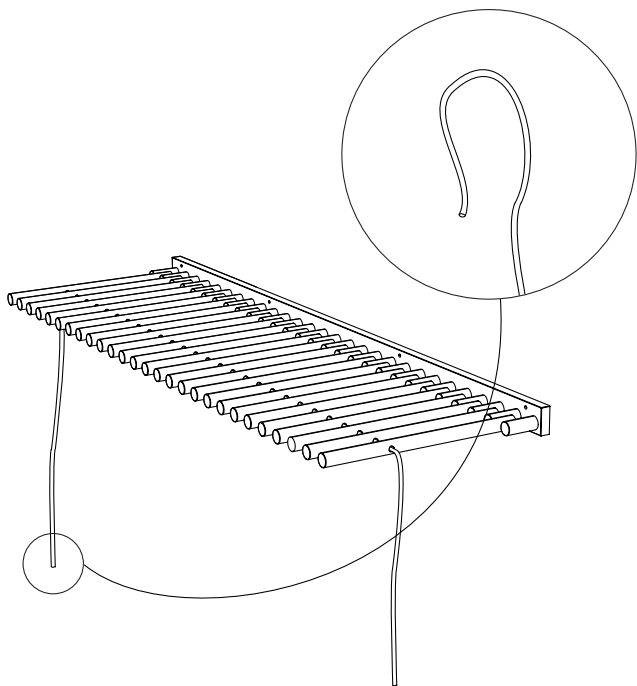
STEP 4

TIGHTEN THE FOUR SCREWS



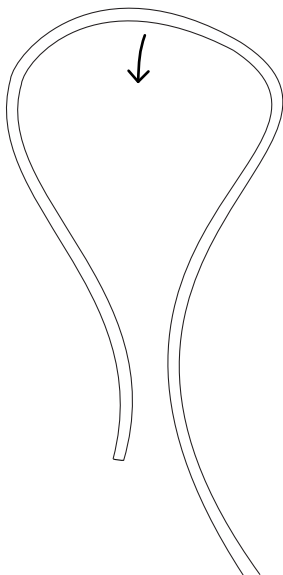
STEP 5

TAKE THE END OF THE LEATHER CORD IN ONE SIDE



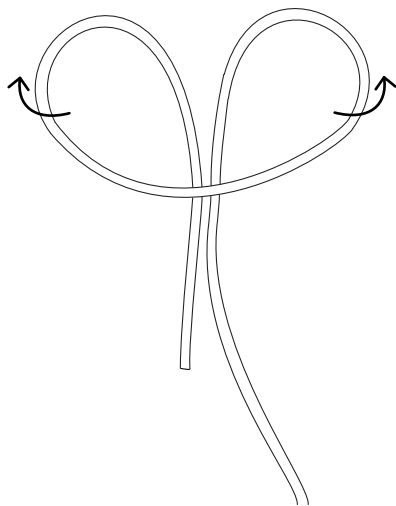
STEP 6

PULL THE TOP DOWN FORWARD



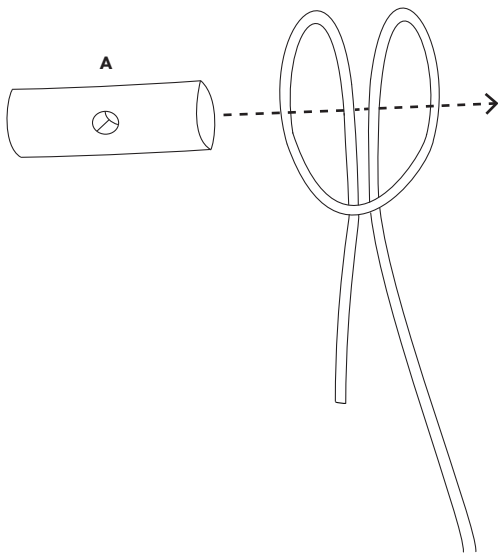
STEP 7

BRING BOTH SIDES BACKWARDS



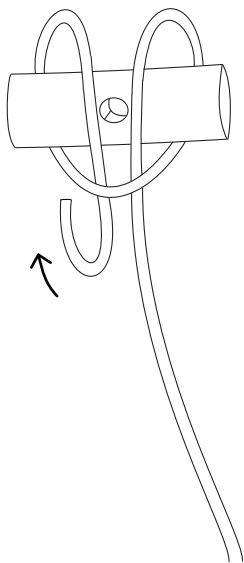
STEP 8

PLACE THE WOODEN DOWEL IN THE
HOLE CREATED BY THE LEATHER CORD



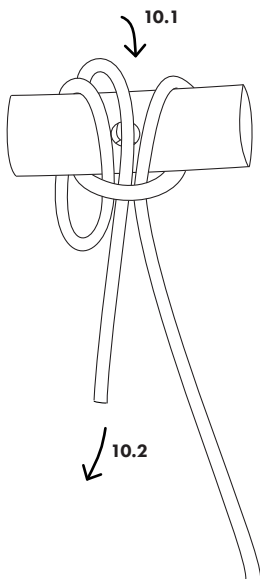
STEP 9

TAKE THE END OF THE LEATHER CORD AND
BRING IT BACKWARDS OF THE WOODEN DOWEL



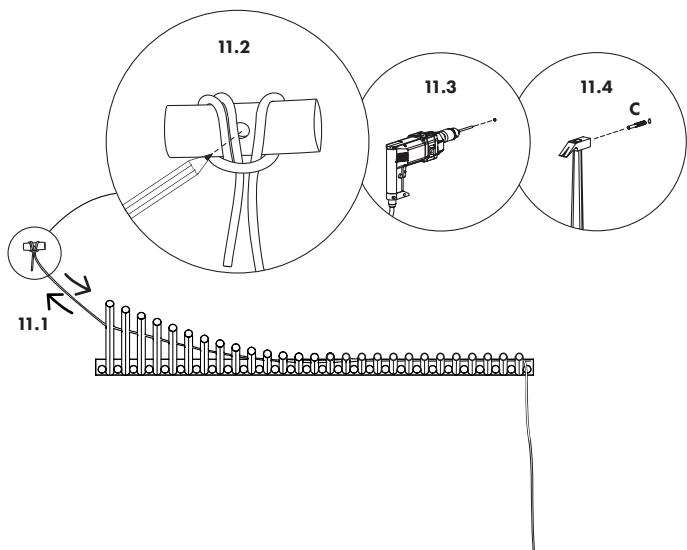
STEP 10

PLACE IN BETWEEN THE TWO LEATHER CORDS AND THEN UNDER THE CROSSING LEATHER CORD. TIGHTEN THE LEATHER BY PULLING THE END OF THE CORD.



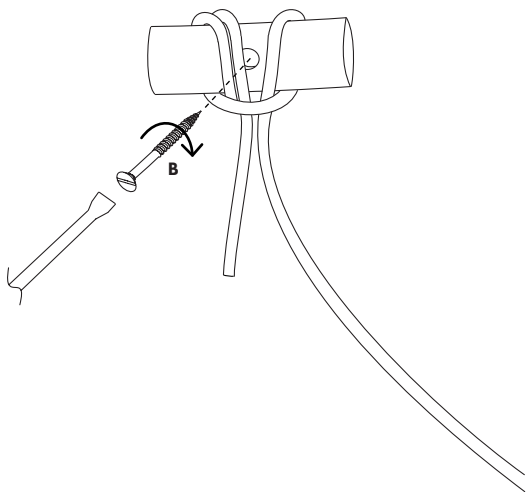
STEP 11

ADJUST THE LENGTH OF THE LEATHER CORD BEFORE MARKING THE HOLE IN THE WOODEN DOWEL. THEN DRILL AND APPLY THE WALL PLUG.



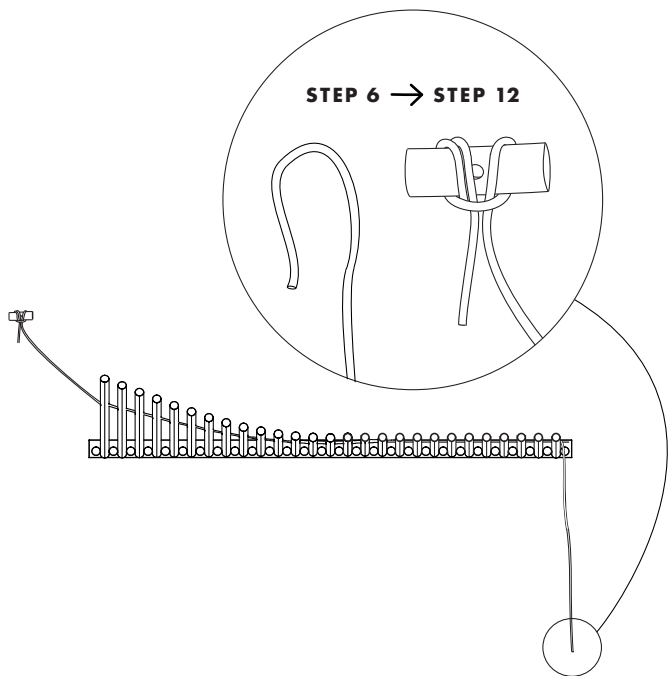
STEP 12

TIGHTEN THE SCREW



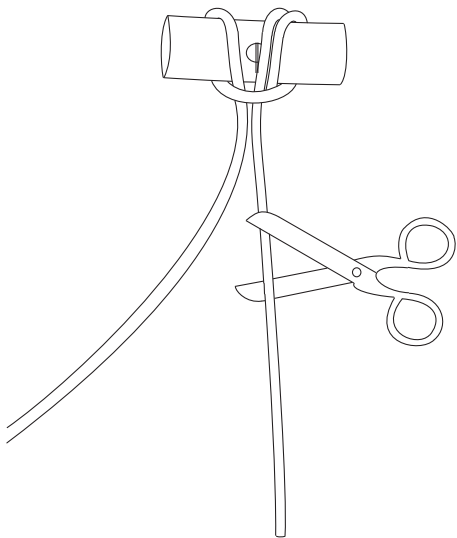
STEP 13

REPEAT STEP 6-12 WITH THE LEATHER CORD IN OPPOSITE SIDE



STEP 14

FINISH BY CUTTING THE EXCESS OF THE
LEATHER CORD WITH A SCISSOR



NOTICE

MAXIMUM WEIGHT ON THE COAT RACK IS 5 KG



DESIGNED BY
RIKKE PALMERSTON