

# HOOP

ASSEMBLY INSTRUCTION

WOUD

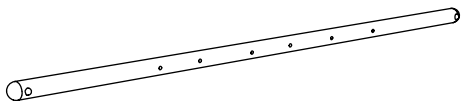
WITH THE HOOP RACK, I FOUND AN IMMEDIATE INSPIRATION FROM THE 'RING THE STICK GAME' AFTER PLAYING IT IN THE GARDEN WITH FRIENDS. THE SIMPLICITY AND JOY THAT COMES FROM A STICK AND A COUPLE OF RINGS ARE FASCINATING. THE FUNCTIONALITY OF THE DESIGN HAD TO BE SIMPLE LIKE THE GAME. FROM THIS ORDINARY INSPIRATION, A COAT RACK OCCURRED TO ME. I HAVE NAMED IT HOOP AS IT MEANS A CIRCULAR STRIP USED FOR HOLDING THINGS TOGETHER AND A PLAYTHING - A NAME THAT REFERS TO BOTH THE FUNCTIONAL AND PLAYFUL ASPECT OF THE RACK. ALL IN ONE WORD.

A stylized, handwritten signature in black ink that reads "Holdgaard". The letters are fluid and connected, with a large, sweeping loop at the beginning of the word.

JEANETTE HOLDGAARD

# **ASSEMBLY INSTRUCTION**

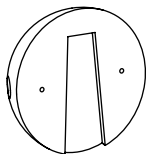
**PLEASE GO THROUGH THE FOLLOWING  
STEPS CAREFULLY. RETAIN THIS MANUAL  
FOR FUTURE REFERENCE TO ENSURE THAT  
YOUR NEW ITEM IS CORRECTLY ASSEMBLED  
IN CASE IT SHOULD BE DISASSEMBLED OR  
MOVED. WE ARE NOT RESPONSIBLE FOR  
ANY FAULTS OR DAMAGES CAUSED BY  
NOT FOLLOWING THESE INSTRUCTIONS  
CORRECTLY.**



**A X 1**



**B X 1**



**C X 1**



**D X 7**



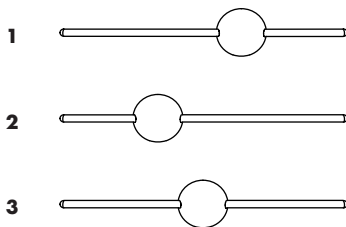
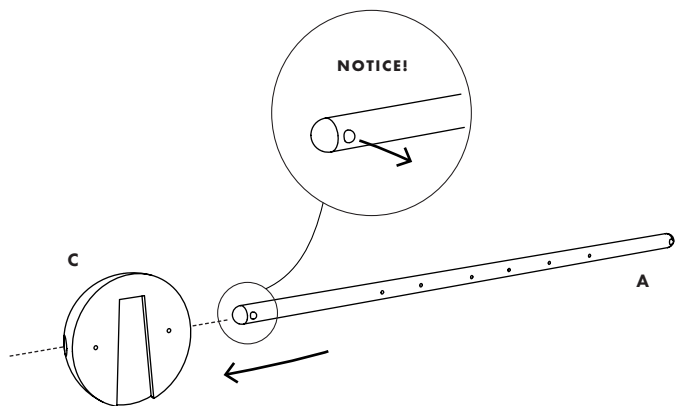
**E X 3**



**F X 2**

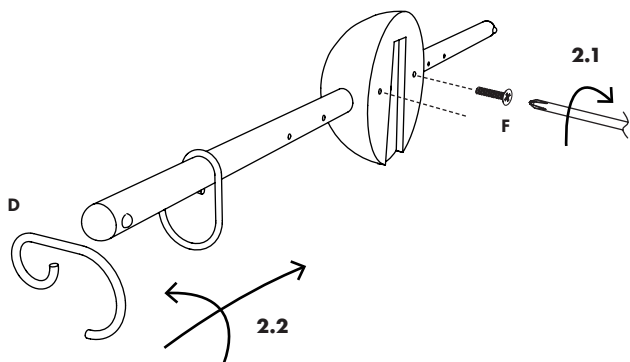
# STEP 1

REMOVE ONE OF THE RUBBER STOPPERS BEFORE SLIDING THE RACK THROUGH THE CENTERPIECE. CHOOSE BETWEEN THREE DIFFERENT POSITIONS.



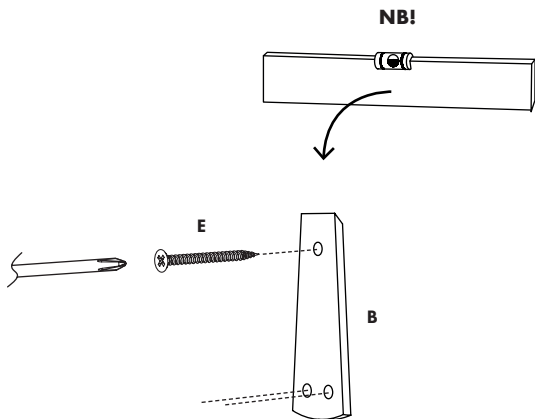
## STEP 2

MOUNT THE RACK ON THE BACKSIDE OF THE CENTERPIECE USING THE SCREWS AND THEN APPLY THE SMALL HOOKS ON THE RACK.



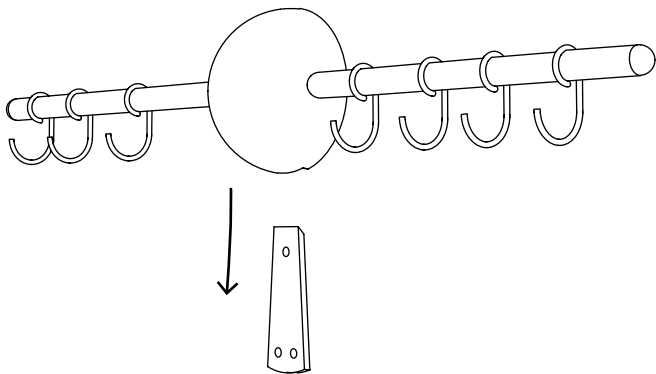
## STEP 3

LEVEL THE MOUNTING PIECE BEFORE MARKING THE SPOTS.  
DEPENDING ON YOUR WALL, WE RECOMMEND THAT YOU  
DRILL HOLES AND USE SUITABLE WALL PLUGS.

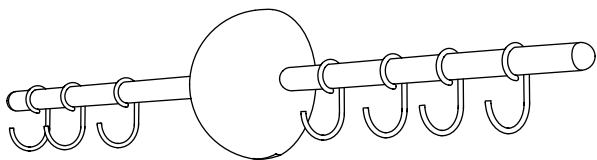


## STEP 4

PLACE THE RACK ON THE MOUNTING PIECE







DESIGNED BY  
**JEANETTE HOLDGAARD**