

RHONAN PENDANT

PRODUCT FEATURES

- Incredibly modern pendant with an asymmetric stamped metal shade
- Available in two modern finish options, textured black or textured white
- Ideal for kitchen island task lighting, hallway lighting and bedroom lighting
- Available lamping options include energy efficient LED or no-lamp, leaving you the option to light this fixture with your preferred lamping
- Fully dimmable LED lamping option creates the desired ambiance
- Protected by a 1-year warranty

LAMPING

Rated for (1) low-voltage, 50 watt max. lamp (Lamp Not Included). LED includes 12 volt 6.5 watt, 485 delivered lumens, 3000K replaceable LED module. Ships with six feet of field-cutttable cable. Dimmable with low-voltage electronic or magnetic dimmer (based on the transformer).



Textured Black /
Black



Textured Black /
Black

ORDERING INFORMATION

700	SYSTEM	RHN	COLOR	FINISH	LAMP
	FJ FREEJACK	BB	TEXTURED BLACK/BLACK	Z ANTIQUE BRONZE	12 VOLT HALOGEN
	KL KABLE LITE			C CHROME	-24 24 VOLT HALOGEN
	MP MONOPOINT			S SATIN NICKEL	-LEDS930 12 VOLT LED 90 CRI 3000K (T20/T24)
	MO MONORAIL				-24 24 VOLT HALOGEN

Note. Note. MP includes 4" Round Flush Canopy.
Antique Bronze is not available for Kable Lite.
Chrome not offered on Monorail & Two-Circuit Monorail.

700 _____ RHN _____

JOB NAME _____

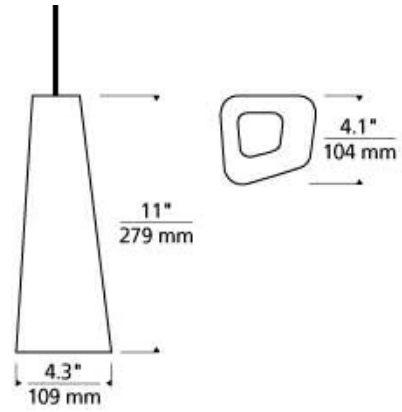
NOTES _____



RHONAN PENDANT

SPECIFICATIONS

HARDWARE MATERIAL	Metal
SHADE MATERIAL	
NET WEIGHT	1.66 lbs
HEIGHT	11in
WIDTH	4.1in
LENGTH	4.3in
UP LIGHT / DOWN LIGHT / BOTH?	
WET LISTED	
DAMP LISTED	
DRY LISTED	
MIN. HANGING HEIGHT	17.5in
MAX HANGING HEIGHT	83.5in
SLOPED CEILING ADAPTABLE?	Yes 45° Max
GENERAL LISTING	ETL Listed
INCLUDES	



LAMPING SPECIFICATIONS

	LED LAMP	INTEGRATED LED	NON LED	NO LAMP
DELIVERED LUMENS	485		500	
WATTS	6.5		50	
MAX WATTAGE PER BULB	50W		50W	
INPUT VOLTAGE	12V 120V		12V 120V	
DIMMING TYPE*	ELV		ELV	
CCT	3000K			
CRI	90 CRI			
LED LIFETIME				
L70	>25000			
AVERAGE BULB HOURS				
FIELD SERVICEABLE LED				
LAMP BASE	GU5.3		GU5.3	
LAMP SHAPE	MR16		MR16	
LAMP INCLUDED?	Y		Y	
WARRANTY**	1 Year		1 Year	

* Dimming information available at www.techlighting.com/Downloads#dimming

** Visit techlighting.com for specific warranty limitations and details.

T20 / T24 INFORMATION

	Integrated LED	Replacement LED Lamp	No Lamp *
This product can be used to comply with California Building Energy Efficiency Standards 2016 Title 24 Part 6.		Yes	N/A
This product can be used to comply with California Appliance Efficiency Standards 2016 Title 20 and may be shipped to and sold in California.		Yes	N/A

* If a light fixture or component does not include a lamp or light source, it is the responsibility of the customer to select a lamp that meets the T24 and T20 requirements.

