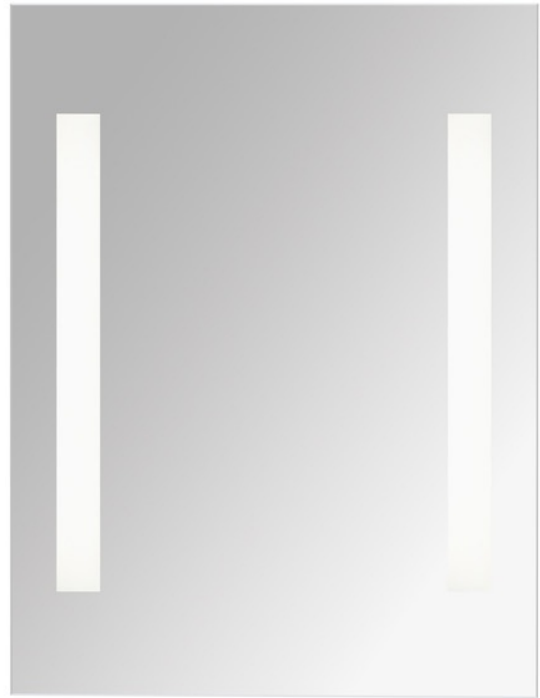


PRODUCT FEATURES

- Adds simple sophistication to any bathroom space
- Beautiful lighted mirror provides ambient and general illumination lighting
- ADA compliant
- Ideal for vanities and bathrooms
- All lamping options are fully dimmable to create the desired ambiance in any space
- Protected by a 5-year warranty if integrated LED lamp is chosen and 1-year warranty if fluorescent lamp option is chosen

LAMPING

Includes 17.6 watt, 615 total delivered lumens, 3000K LED module. Dimmable with most LED compatible ELV or Triac dimmers. 277V compatible with 0-10V dimmer. Mounts vertically only. ADA compliant.



TL Reflection Mirror



TL Reflection Mirror

ORDERING INFORMATION

700VNRFL LAMP

- LED930 INTEGRATED LED 90 CRI 3000K 120V
- LED930-277 INTEGRATED LED 90 CRI 3000K 277V

700VNRFL _____

JOB NAME _____

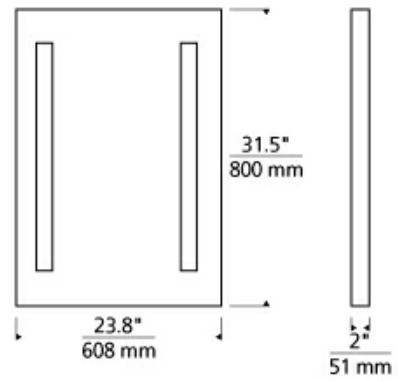
NOTES _____



REFLECTION MIRROR

SPECIFICATIONS

HARDWARE MATERIAL	Metal
SHADE MATERIAL	Glass
NET WEIGHT	14 lbs
HEIGHT	31.5in
WIDTH	2in
LENGTH	23.8in
WET LISTED	
DAMP LISTED	
DRY LISTED	
GENERAL LISTING	ETL Listed
INCLUDES	



LAMPING SPECIFICATIONS

	LED LAMP	INTEGRATED LED	NON LED	NO LAMP
DELIVERED LUMENS		615		
WATTS		17.6		
MAX WATTAGE PER BULB		17.6W		
INPUT VOLTAGE		120V 277V		
DIMMING TYPE*				
CCT		3000K		
CRI		90 CRI		
LED LIFETIME				
L70		>50000		
AVERAGE BULB HOURS				
FIELD SERVICEABLE LED				
LAMP BASE		Integrated LED		
LAMP SHAPE		Integrated LED		
LAMP INCLUDED?		Y		
WARRANTY**		5 Years		

* Dimming information available at www.techlighting.com/Downloads#dimming

** Visit techlighting.com for specific warranty limitations and details.

T20 / T24 INFORMATION

	Integrated LED	Replacement LED Lamp	No Lamp *
This product can be used to comply with California Building Energy Efficiency Standards 2016 Title 24 Part 6.	Yes		
This product can be used to comply with California Appliance Efficiency Standards 2016 Title 20 and may be shipped to and sold in California.	N/A		

* If a light fixture or component does not include a lamp or light source, it is the responsibility of the customer to select a lamp that meets the T24 and T20 requirements.

