

# GUNNAR PENDANT

## PRODUCT FEATURES

- Unique spun metal shade features contrasting interior and exterior painted finishes
- Large scale contemporary pendant light perfect for making a strong modern statement
- Includes matching ceiling canopy and cloth cord
- Fully dimmable LED and incandescent lamping options to create the desired ambiance
- Ships with choice of LED or Incandescent lamp included saving you time and money
- Protected by a 1-year warranty, please visit [www.techlighting.com](http://www.techlighting.com) for details



Black / Satin Gold



Black / Satin Gold    White / Satin Haze

## LAMPING

Rated for (1) 150 watt max E26 medium base lamp (Lamp Not Included). LED version includes 120 volt 12 watt, 900 delivered lumen, 3000K, medium base LED G40 lamp. Dimmable with most LED compatible ELV and TRIAC dimmers. Fixture provided with twelve feet of field-cuttable cable.

## ORDERING INFORMATION

700	SYSTEM	GUNP	COLOR	LAMP
	TD LINE-VOLTAGE PENDANTS/SUSPENSION		BG BLACK/SATIN GOLD WS WHITE/SATIN HAZE	NO LAMP -LED930 LED 90 CRI 3000K 120V

700 \_\_\_\_\_ GUNP \_\_\_\_\_

JOB NAME \_\_\_\_\_

NOTES \_\_\_\_\_

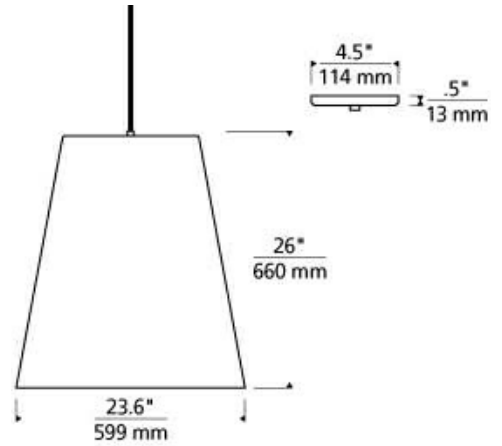
\_\_\_\_\_



# GUNNAR PENDANT

## SPECIFICATIONS

HARDWARE MATERIAL	Metal
SHADE MATERIAL	Aluminum
NET WEIGHT	6.5 lbs
HEIGHT	26in
WIDTH	23.6in
LENGTH	23.6in
UP LIGHT / DOWN LIGHT / BOTH?	
WET LISTED	
DAMP LISTED	Yes
DRY LISTED	
MIN. HANGING HEIGHT	32.5in
MAX HANGING HEIGHT	170.5in
TOTAL CORD LENGTH	144in
TOTAL STEM LENGTH	
STEM QTY	
SLOPED CEILING ADAPTABLE?	Yes 45° Max
GENERAL LISTING	ETL Listed
INCLUDES	



## LAMPING SPECIFICATIONS

	LED LAMP	INTEGRATED LED	NON LED	NO LAMP
DELIVERED LUMENS	900			
WATTS	12			
MAX WATTAGE PER BULB	150W			150W
INPUT VOLTAGE	120V			120V
DIMMING TYPE*	ELV, TRIAC			ELV, TRIAC
CCT	3000K			
CRI	80 CRI			
LED LIFETIME				
L70	25000			
AVERAGE BULB HOURS				
FIELD SERVICEABLE LED				
LAMP BASE	E26 Medium Base			E26 Medium Base
LAMP SHAPE	G40			G40
LAMP INCLUDED?	Y			N
WARRANTY**	1 Year			1 Year

\* Dimming information available at [www.techlighting.com/Downloads#dimming](http://www.techlighting.com/Downloads#dimming)  
 \*\* Visit [techlighting.com](http://techlighting.com) for specific warranty limitations and details.

## T20 / T24 INFORMATION

	Integrated LED	Replacement LED Lamp	No Lamp *
This product can be used to comply with California Building Energy Efficiency Standards 2016 Title 24 Part 6.		No	N/A
This product can be used to comply with California Appliance Efficiency Standards 2016 Title 20 and may be shipped to and sold in California.		No	N/A

\* If a light fixture or component does not include a lamp or light source, it is the responsibility of the customer to select a lamp that meets the T24 and T20 requirements.

