

FIRE GRANDE PENDANT

PRODUCT FEATURES

- Simple contemporary tear shape silhouette
- Rich glass color options
- Complementary Fire family pendants also available from Tech Lighting
- Fully dimmable, this creates the desired ambiance in your unique space
- Ideal for kitchen island task lighting, bedroom lighting and home office lighting
- Protected by a 1-year warranty



LAMPING

Includes 120 volt, 40 watt G9 base halogen lamp. Fixture provided with six feet of field-cutable cable. Incandescent version dimmable with standard incandescent dimmer. Black, Satin Nickel and White canopy include satin nickel ball detail. Antique bronze includes bronze ball detail.

Smoke



Clear

Smoke

Steel Blue

ORDERING INFORMATION

700	SYSTEM	FIRGP	COLOR	FINISH	LAMP
	TD LINE-VOLTAGE PENDANTS/SUSPENSION		C CLEAR K SMOKE U STEEL BLUE	Z ANTIQUE BRONZE S SATIN NICKEL	INCANDESCENT 120V (T20)

700 _____ FIRGP _____

JOB NAME _____

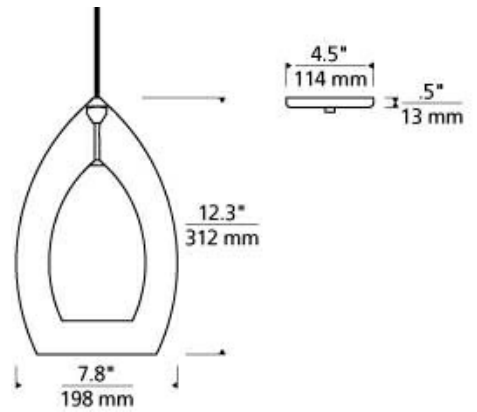
NOTES _____



FIRE GRANDE PENDANT

SPECIFICATIONS

HARDWARE MATERIAL	Metal
SHADE MATERIAL	Glass
NET WEIGHT	3.5 lbs
HEIGHT	12.3in
WIDTH	7.8in
LENGTH	7.8in
UP LIGHT / DOWN LIGHT / BOTH?	
WET LISTED	
DAMP LISTED	Yes
DRY LISTED	
MIN. HANGING HEIGHT	18.8in
MAX HANGING HEIGHT	84.8in
TOTAL CORD LENGTH	72in
TOTAL STEM LENGTH	
STEM QTY	
SLOPED CEILING ADAPTABLE?	Yes 45° Max
GENERAL LISTING	ETL Listed
INCLUDES	



LAMPING SPECIFICATIONS

	LED LAMP	INTEGRATED LED	NON LED	NO LAMP
DELIVERED LUMENS				
WATTS				
MAX WATTAGE PER BULB			75W	
INPUT VOLTAGE			120V	
DIMMING TYPE*			ELV, TRIAC	
CCT				
CRI				
LED LIFETIME				
L70				
AVERAGE BULB HOURS				
FIELD SERVICEABLE LED				
LAMP BASE			E26 Medium Base	
LAMP SHAPE			T6	
LAMP INCLUDED?			Y	
WARRANTY**			1 Year	

*Dimming information available at www.techlighting.com/Downloads#dimming

** Visit techlighting.com for specific warranty limitations and details.

T20 / T24 INFORMATION

	Integrated LED	Replacement LED Lamp	No Lamp *
This product can be used to comply with California Building Energy Efficiency Standards 2016 Title 24 Part 6.			N/A
This product can be used to comply with California Appliance Efficiency Standards 2016 Title 20 and may be shipped to and sold in California.			N/A

* If a light fixture or component does not include a lamp or light source, it is the responsibility of the customer to select a lamp that meets the T24 and T20 requirements.

