

## PRODUCT FEATURES

- Designed with modern appeal, Banda provides a clean aesthetic with straight-lines and crisp edges enveloping integrated LEDs.
- Available in three modern finishes, a Natural Brass that will patina over time, Matte Black and Chrome to fit your modern style.
- Complete the look with Banda Bath Bar 24 and Banda 36.
- Dimmable with most LED compatible ELV and Triac dimmers. 277V dimmable with and 0-10V dimmer.
- Mounts horizontal or vertical. ADA Compliant.
- Protected by a 5-year warranty. please visit the "About Us" Page on [techlighting.com](http://techlighting.com) for more for warranty details



Matte Black

## LAMPING

Includes 11.7 watt, 652 delivered lumens, 3000K 90 CRI LED module. 120V dimmable with most LED compatible ELV and TRIAC Dimmers. 277V compatible with 0-10V dimmers. ADA compliant. Mounts vertical or horizontal. 120V or 277V.



Chrome



Matte Black



Natural Brass

## ORDERING INFORMATION

700BCBND	LENGTH (A)	FINISH	LAMP
	13 13"	C CHROME	-LED930 INTEGRATED LED 90 CRI 3000K 120V
		B MATTE BLACK	-LED930-277 INTEGRATED LED 90 CRI 3000K 277V
		NB NATURAL BRASS	

700BCBND \_\_\_\_\_

JOB NAME \_\_\_\_\_

NOTES \_\_\_\_\_

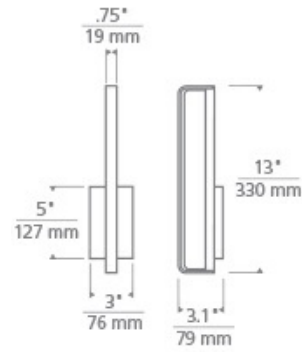
\_\_\_\_\_

\_\_\_\_\_



## SPECIFICATIONS

HARDWARE MATERIAL	Metal
SHADE MATERIAL	Acrylic
NET WEIGHT	2 lbs
HEIGHT	13in
WIDTH	3.1in
LENGTH	3in
WET LISTED	
DAMP LISTED	Yes
DRY LISTED	
GENERAL LISTING	ETL Listed
INCLUDES	



## LAMPING SPECIFICATIONS

	LED LAMP	INTEGRATED LED	NON LED	NO LAMP
DELIVERED LUMENS		652		
WATTS		11.7		
MAX WATTAGE PER BULB		11.7W		
INPUT VOLTAGE		120V 277V		
DIMMING TYPE*		ELV, TRIAC 0-10V		
CCT		3000K		
CRI		90 CRI		
LED LIFETIME				
L70		>50000		
AVERAGE BULB HOURS				
FIELD SERVICEABLE LED				
LAMP BASE		Integrated LED		
LAMP SHAPE		Integrated LED		
LAMP INCLUDED?		Y		
WARRANTY**		5 Years		

\* Dimming information available at [www.techlighting.com/Downloads#dimming](http://www.techlighting.com/Downloads#dimming)

\*\* Visit [techlighting.com](http://techlighting.com) for specific warranty limitations and details.

## T20 / T24 INFORMATION

	Integrated LED	Replacement LED Lamp	No Lamp *
This product can be used to comply with California Building Energy Efficiency Standards 2016 <b>Title 24</b> Part 6.	Yes		
This product can be used to comply with California Appliance Efficiency Standards 2016 <b>Title 20</b> and may be shipped to and sold in California.	N/A		

\* If a light fixture or component does not include a lamp or light source, it is the responsibility of the customer to select a lamp that meets the T24 and T20 requirements.

