

PRODUCT FEATURES

- Elegant contemporary style using on-trend combinations of metal and acrylic
- Small scale perfect for accent lighting applications
- Adaptable to modern ceiling lighting and warm contemporary ceiling lighting applications
- High quality, dimmable integrated LED lamping with glare-free light diffusion
- Coordinating Akova Pendants and Akova Wall Sconce also available
- Protected by a 5-year warranty, please visit www.techlighting.com for details



Aged Brass /
Bright Brass



Aged Brass /
Bright Brass

Matte Black /
Aged Brass

LAMPING

Includes 14 watt, 640.9 delivered lumens, 2700K LED module. May be mounted on wall or ceiling. Dimmable with most LED compatible ELV and TRIAC dimmers. 120V.

ORDERING INFORMATION

700FMAKV COLOR

RR AGED BRASS/BRIGHT BRASS
BR MATTE BLACK/AGED BRASS

LAMP

-LED927 LED 90 CRI 2700K 120V

700FMAKV _____

JOB NAME _____

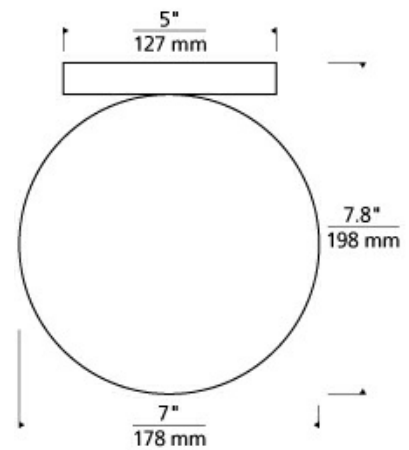
NOTES _____



AKOVA FLUSH MOUNT

SPECIFICATIONS

HARDWARE MATERIAL	Metal
SHADE MATERIAL	Acrylic
NET WEIGHT	2 lbs
HEIGHT	7.8in
WIDTH	7in
LENGTH	7in
UP LIGHT / DOWN LIGHT / BOTH?	
WET LISTED	
DAMP LISTED	Yes
DRY LISTED	
WALL / CEILING MOUNT	
GENERAL LISTING	ETL Listed
INCLUDES	



LAMPING SPECIFICATIONS

	LED LAMP	INTEGRATED LED	NON LED	NO LAMP
DELIVERED LUMENS		640.9		
WATTS		14		
MAX WATTAGE PER BULB		14W		
INPUT VOLTAGE		120V		
DIMMING TYPE*		ELV, TRIAC		
CCT		2700K		
CRI		90 CRI		
LED LIFETIME				
L70		>50000		
AVERAGE BULB HOURS				
FIELD SERVICEABLE LED				
LAMP BASE		Integrated LED		
LAMP SHAPE		Integrated LED		
LAMP INCLUDED?		Y		
WARRANTY**		5 Years		

*Dimming information available at www.techlighting.com/Downloads#dimming

** Visit techlighting.com for specific warranty limitations and details.

T20 / T24 INFORMATION

	Integrated LED	Replacement LED Lamp	No Lamp *
This product can be used to comply with California Building Energy Efficiency Standards 2016 Title 24 Part 6.	No		
This product can be used to comply with California Appliance Efficiency Standards 2016 Title 20 and may be shipped to and sold in California.	N/A		

* If a light fixture or component does not include a lamp or light source, it is the responsibility of the customer to select a lamp that meets the T24 and T20 requirements.

