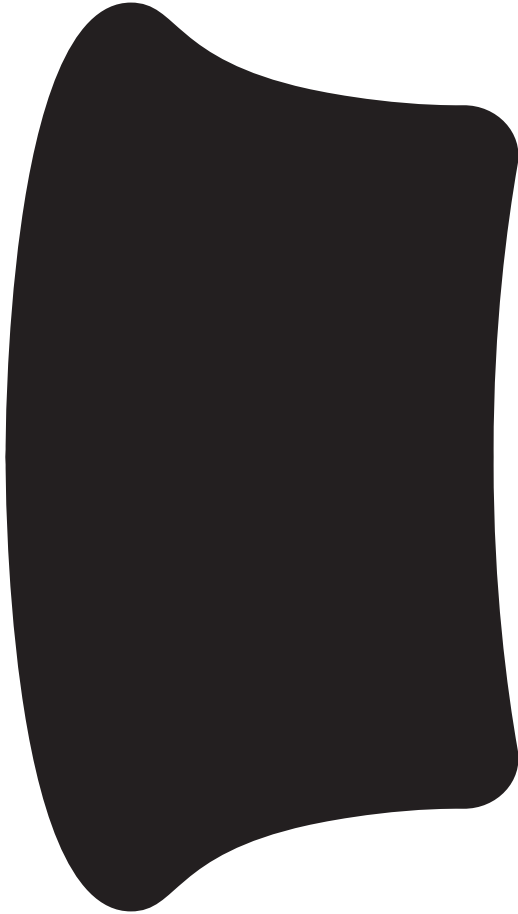


Puffy Lounge Chair

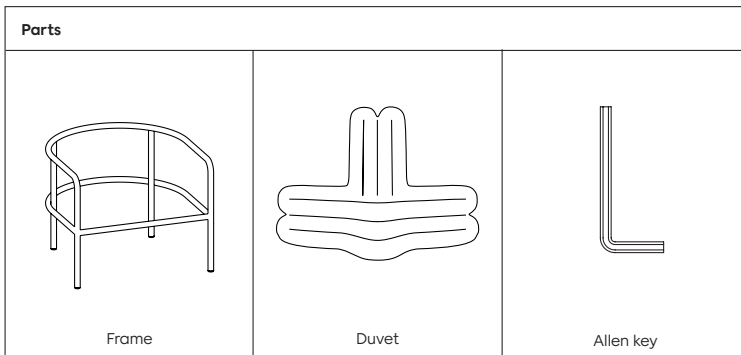


**Assembly
Instruction**

Puffy Lounge Chair

Extreme Comfort

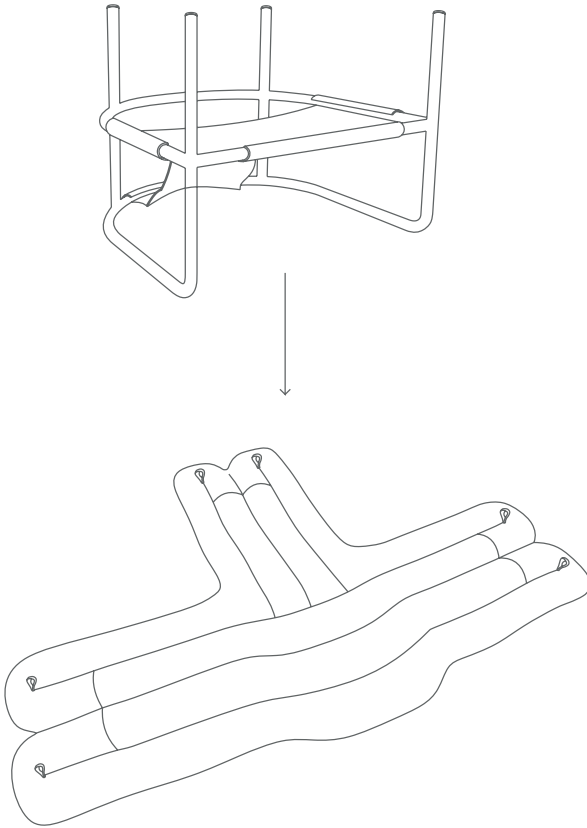
The detachable upholstery of the Puffy Lounge Chair is fat and plump, its generous shape spills freely over the sides of a tubular steel frame which, in stark contrast, is hard-lined and strong. The two key elements of this seating design by Faye Toogood are in purposeful and playful juxtaposition. The elementary frame is inspired by the rational structure of classic modernist design, whilst the extravagant quilt-like upholstery warmly embraces and envelopes, is comforting and reassuring. The Puffy Lounge Chair frame is available in powder-coated or sand-blasted steel finishes and a choice of thick canvas or luxurious leather upholstery.



Step 1

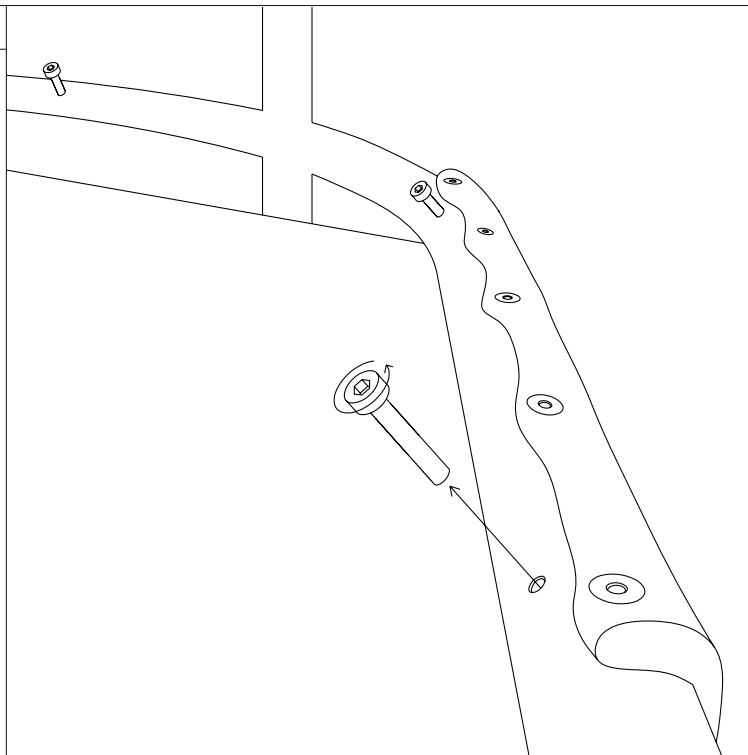
First, place the Puffy duvet face down on the floor.

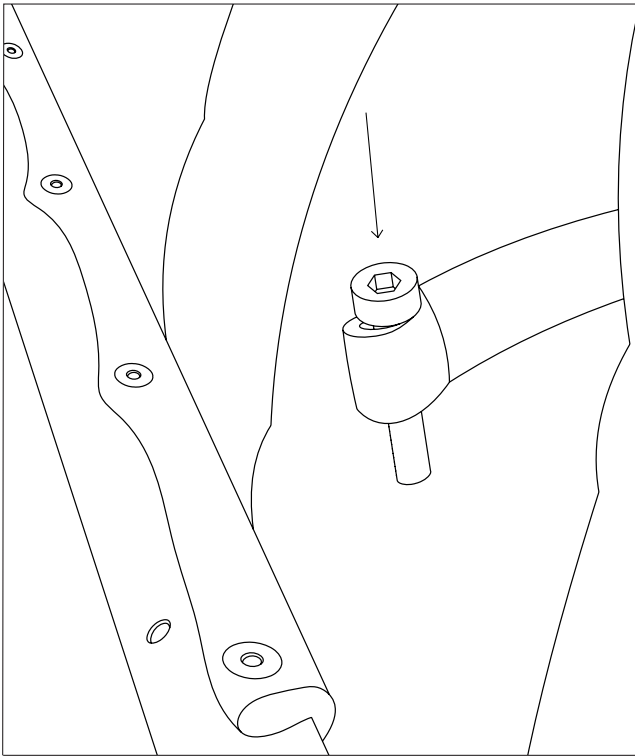
Then, place the frame on top of the duvet.



Step 2

Remove the 6 screws from the frame by using the provided allen key.





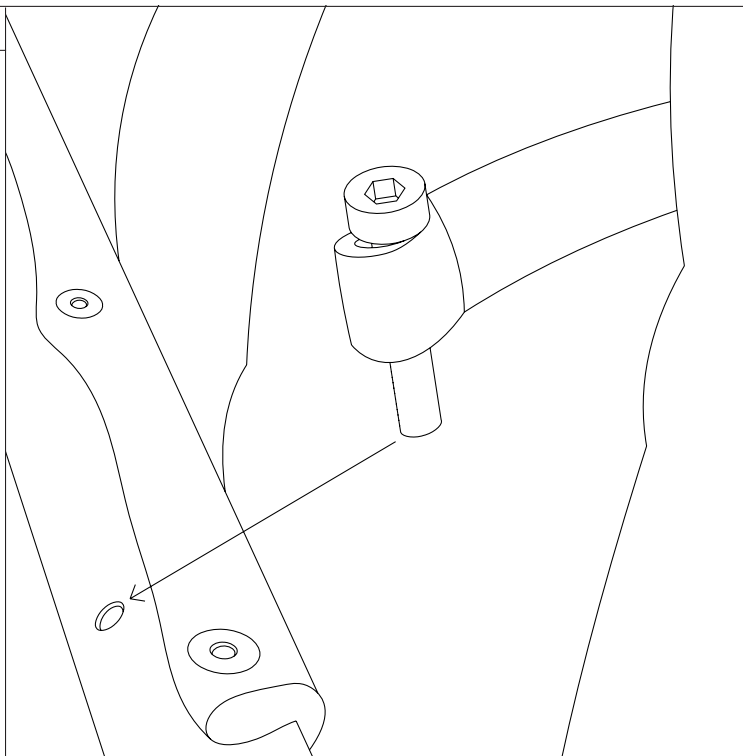
Step 3

Slot the 6 screws inside the loops of the duvet.

Step 4

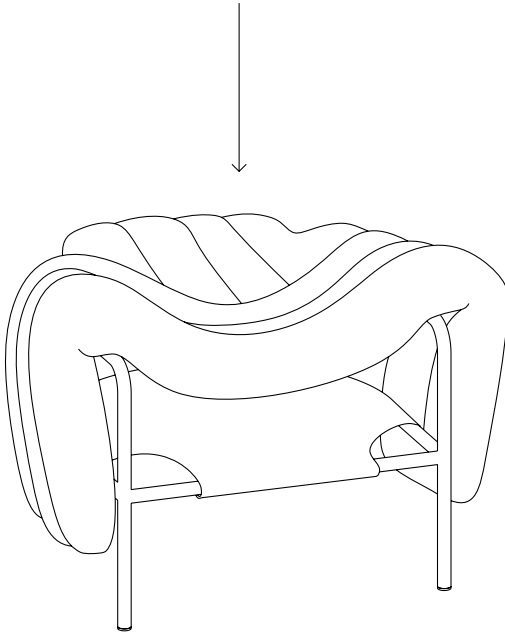
Then fix all screws to the frame at each hole with the allen key provided.

Screw in all flaps to the frame by lifting each upholstery flap. The order does not matter.



Step 5

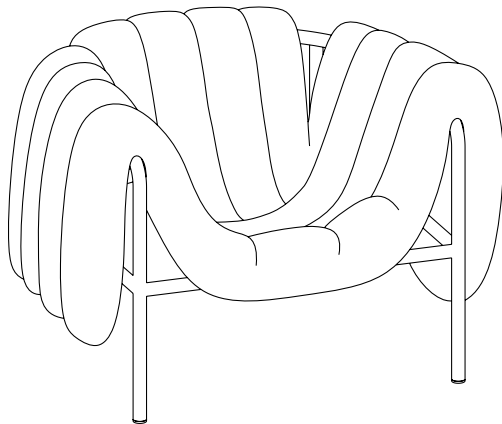
Turn the chair right-way up. Then, push the seat gently down.



Step 6

Your Puffy Lounge Chair is now ready assembled!

From time to time, the Puffy Lounge Chair will require extra 'puffing'. Massage the pillow evenly just like you would fluff a pillow.



Should you have any problems assembling your product, contact us at info@hem.com. We're always happy to help!

We have carefully selected the materials used in this product, and ask you to treat it responsibly too.
Please recycle all packaging according to your local disposal rules.

Hem