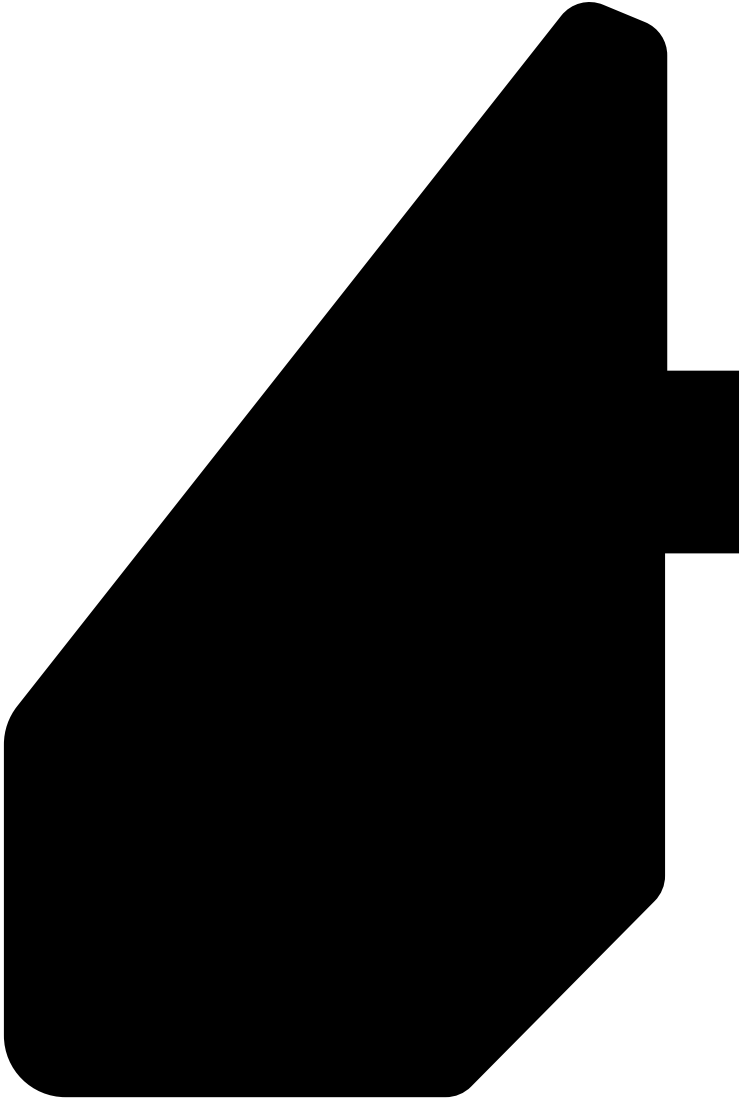


Max Bench



Assembly Instruction

Max Bench

Functional hero

Just like the Max Table, to which this seat is a partner, the Max Bench is a formidable piece of furniture: huge in scale, elementary in form, brilliant in construction, and made from solid ash. Use the bench as it was intended—alongside the Max Table for a fierce dining set—or be unconventional and use it as a monumental stand-alone piece on which to sit, store books, or display favorite possessions. The Max furniture family embodies its name in every way. Created by one of contemporary design's finest talents, Max Lamb.

Please note: You will need 4 people to assemble the Max Bench. Do not attempt to assemble the bench upside down. Read the full assembly instructions before starting.

Parts



1 × Bench Centre



2 × Bench end



2 × Spanner



8 × M18 washer



16 × M18 nut



4 × Felt glider



4 × Metal rod



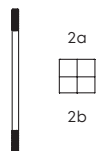
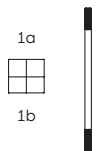
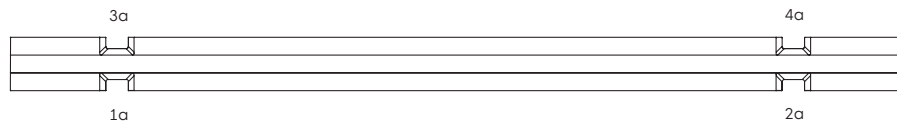
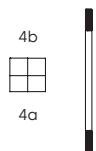
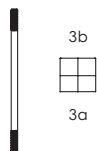
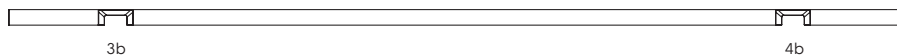
4 × Leg

Step 1

Please arrange the parts of the table before you start assembly.

Match the numbers on the legs to the sides of the table centre and table ends.

Please see the overview illustration below.



Step 2

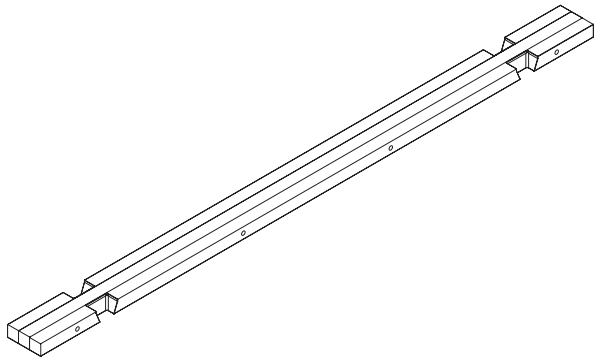
If desired, add the felt gliders to the bottom of the legs.



Step 3

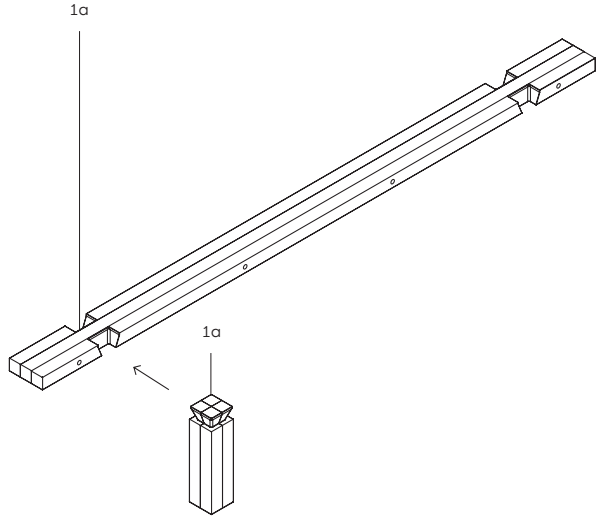
Note: 2 people are needed to hold the bench centre.

Please hold up the bench centre from each short side.



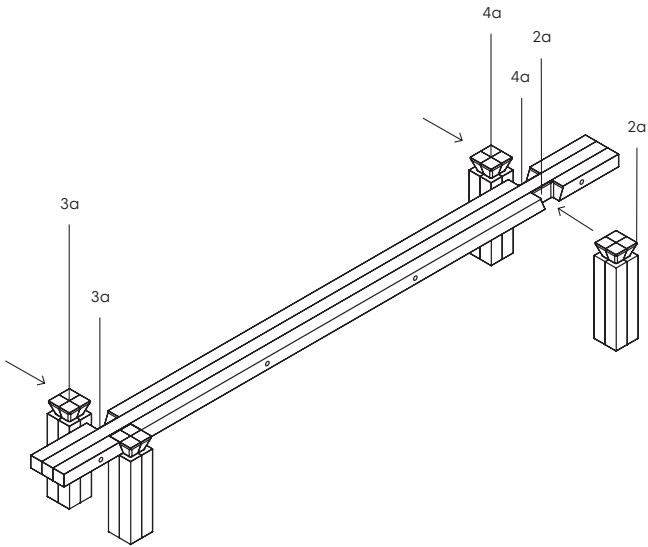
Step 4

While two people are holding the bench centre, a third person matches the side of the first leg with the number 1a to the number 1a in the slot of the bench centre. Gently slide the first leg into the slot of the bench centre. Number 1b on the leg should be facing out.



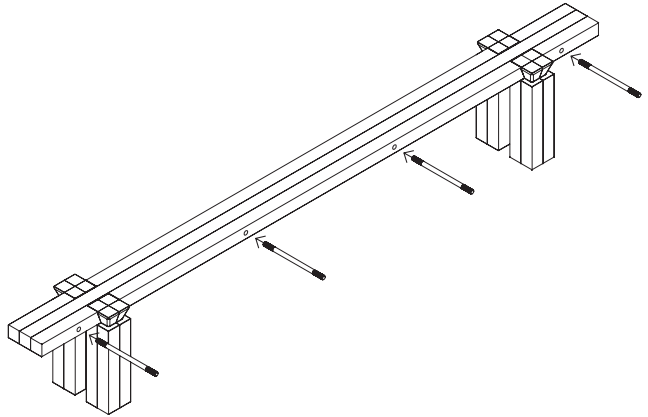
Step 5

Repeat this step for the other three legs.
Two people should hold the bench centre at all times for safety.



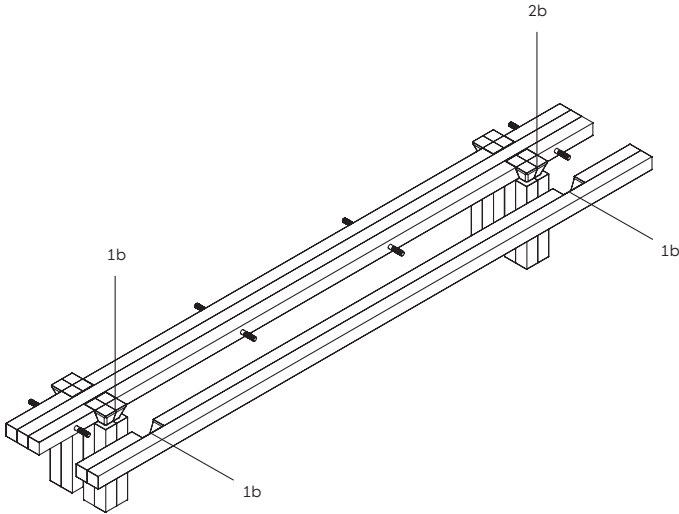
Step 6

While the bench centre is being held by two people, the third person inserts the four metal rods into the holes in the bench center.



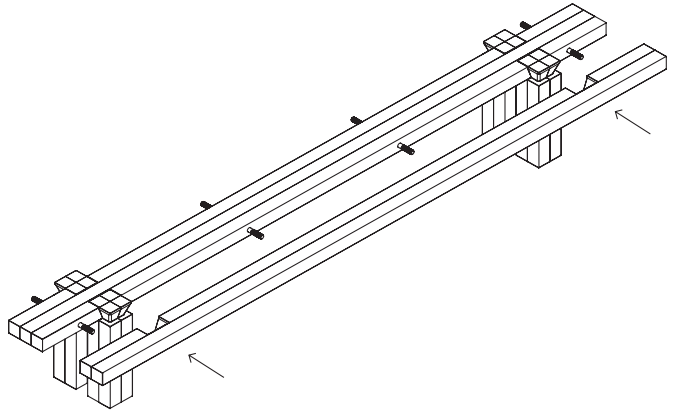
Step 7

Next, match the first bench end with the bench centre. Just like in step 4, the number on the bench end must match with the number on the leg.



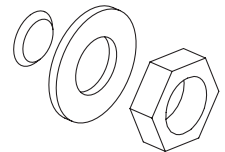
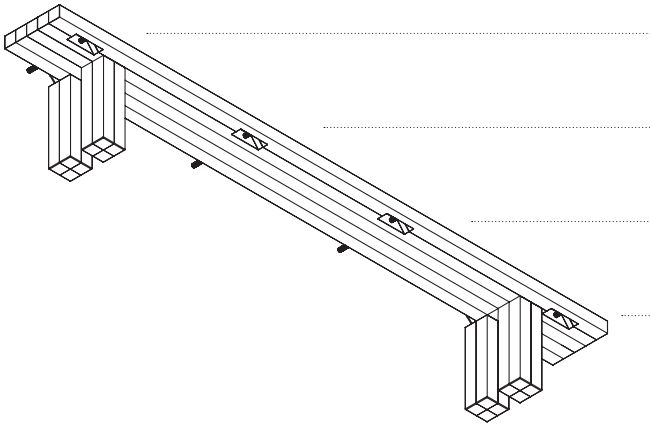
Step 8

Next, while two people still hold the bench centre, two other people slide the bench end towards the metal rods and the bench legs. Try to keep the metal rods from falling out of the other side of the bench center.



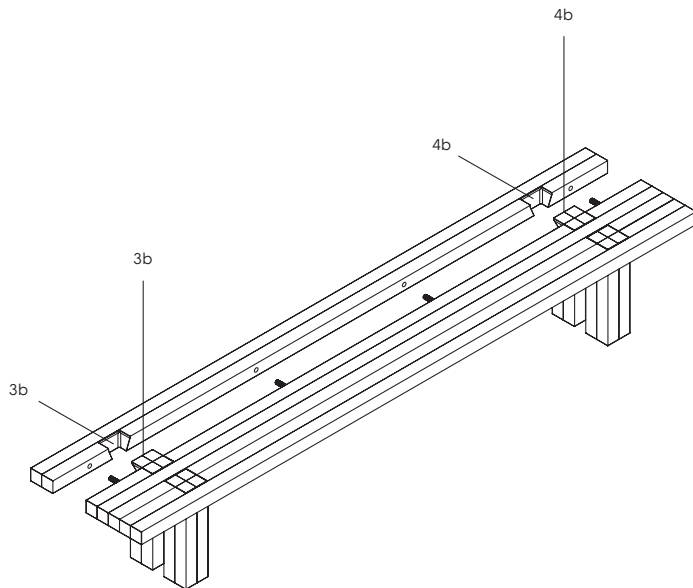
Step 9

First, put one washer and then one nut onto the four metal rods from under the bench. Then, tighten the nut by hand. Do not tighten with the spanner yet.



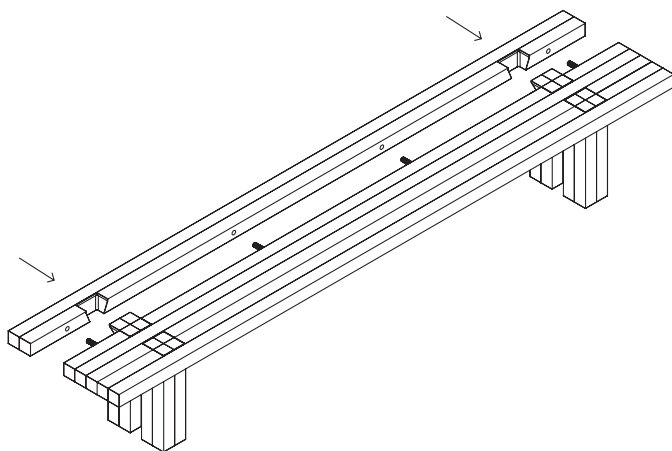
Step 10

Like in step 7, match the second table end with the bench centre. The number on the bench end must match with the number on the leg.



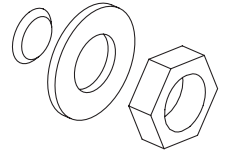
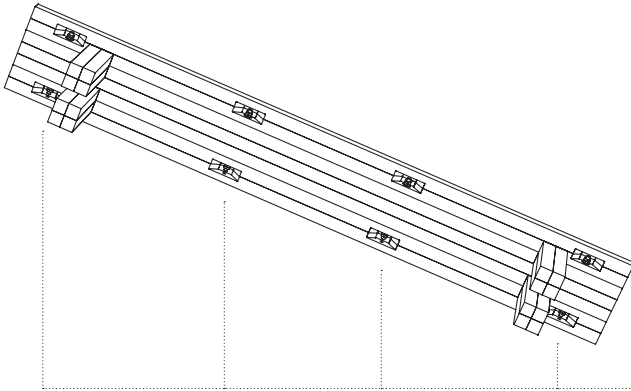
Step 11

Next, while two people still hold the bench centre, two other people slide the bench end towards the metal rods and the legs.



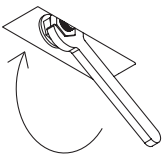
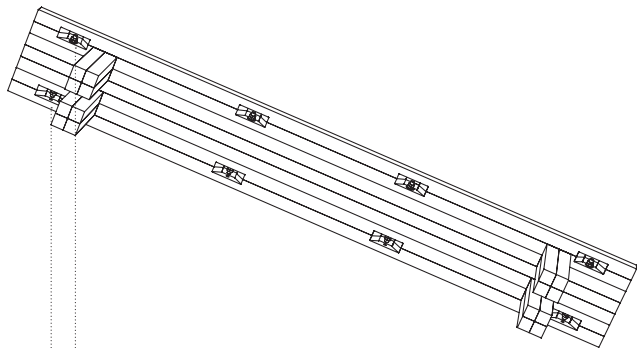
Step 12

Thread a washer and one 1 nut on to the 4 metal rods from under the bench. Thread the washer first and later the nut. Thread them on by hand. Do not tighten them.



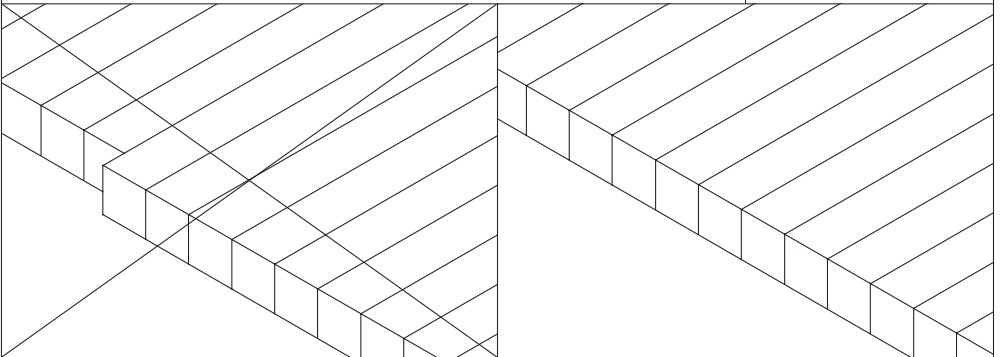
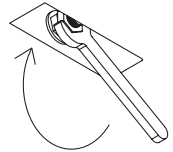
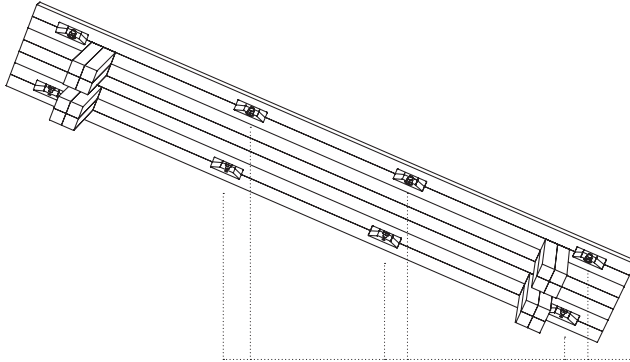
Step 13

Now, tighten the nuts simultaneously on the opposite sides using the two supplied spanners. Please ensure that the bench ends are aligned with the bench centre.



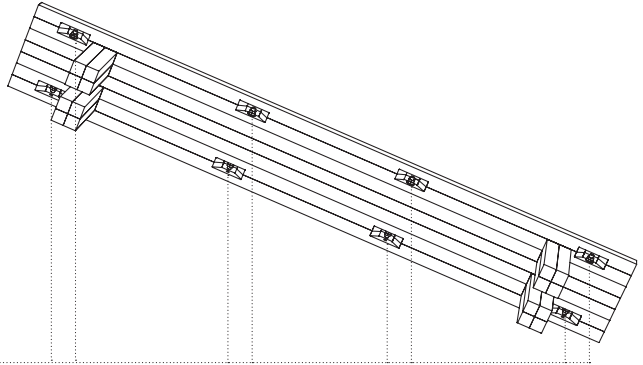
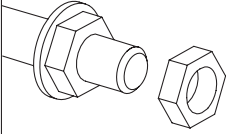
Step 14

Repeat step 13 on all other slots this 3 times. Please ensure that the bench ends are aligned with the bench centre.



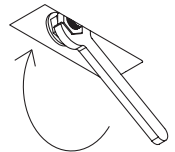
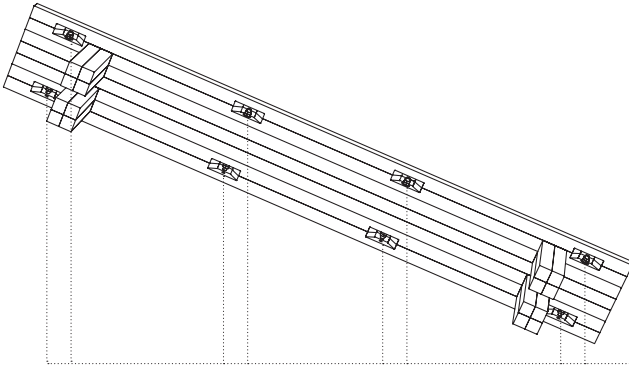
Step 15

After, thread the second nut on to each end of the 4 metal rods. Tighten them lightly by hand.



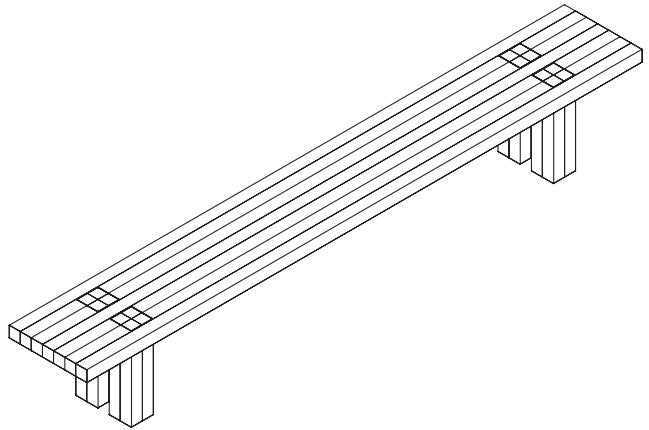
Step 16

Next, tighten the nuts on opposite sides simultaneously (one rod at a time), using the two supplied spanners.



Step 17

Your Max Bench is now ready assembled.



Care Guide

The Max Table and Bench are made to last. With proper care they will age gracefully and a beautiful patina will develop over time. Hem works only with the highest grades of solid, natural timber and it's important to note that natural timber varies in grain and color depending on the variation in the original trees. It may also be subject to colour changes under the influence of sunlight and some types of artificial light. Lighter toned woods, like the ash on the Max Table and Bench, tend to become darker which is a natural process and not a defect of the material.

Use

For day-to-day maintenance, remove dust from the products with a soft, slightly damp, lint-free cloth regularly. Always wipe the surface in the direction of the grain and finish by wiping the surface dry with a soft, dry cloth. Dirt or fluids should be removed immediately if they come into contact with the wood. Use coasters under drinks to protect the surface and never place any hot objects directly on the surface. If stains persist, a diluted mild detergent can be used. Always test detergent on a small area, preferably on a less visible part of the product, such as the underside. Dry with a clean and dry cloth after cleaning to remove any residue.

Do not use

- Alkaline or aggressive cleaning agents such as bleach.
- Solvents or methylated spirits
- Substances that contain abrasive agents, such as scouring powders
- Scouring pads or scotch / abrasive pads.

Lacquer closes the pores of the wood, creating a scratch- and stain-resistant surface. Hem tests the lacquers used and all have passed a traditional "24-hour coffee stain test". Please note that this is valid for a factory-new product and over time, this resistance naturally diminishes. Fluids should always be removed as soon as possible after coming into contact with any surface.

Wood movement

The Max Table and Bench are constructed in a way to minimise the natural movement of the solid timber, it is however to be expected that some movement will occur. Wood is natural material and as the product settles into a new environment the solid timber might contract or expand, depending on the temperature and moisture level in the room. Similar changes may occur seasonally if the climate in the room changes. As the large pieces of solid timber contract or expand, the gap between each piece can become more visible, highlighting the

ingenious construction to be highlighted as the piece ages. As with all natural materials, it's best to let the product live, breath, and ease into its new home.

In relation to the expected wood movement, you might find the three top pieces not being perfectly aligned over time and the edges may move slightly up or down in relation to the centerpiece. To adjust this, just use the spanners included with the product, loosen the two nuts closest to the side where you found the unevenness, and then either push down or lift the edge to align it to the surface of the centerpiece again.

The Max Table and Bench are designed to clamp perfectly around each of the four legs. With big changes in climate, you may find a small gap between the legs and the top pieces. This is to be expected due to the natural movement of the timber and should disappear as the climate returns to normal levels out of peak season. If the gap persists even and affects the use even after some time has passed, it is easy to fix. Simply use your spanners to loosen the bolts slightly while still keeping them on the rods, then slide one of the tabletop side pieces out slightly. Fold regular pieces of paper to a fitting thickness and place them in the gaps created between the chamfers of the leg and tabletop. Repeat this process where needed, then retighten all the nuts and as the last nut is tightened all legs should be securely clamped between the tabletop pieces again.

Should you have any problems assembling your product, contact us at info@hem.com. We're always happy to help!

We have carefully selected the materials used in this product, and ask you to treat it responsibly too.
Please recycle all packaging according to your local disposal rules.

Hem