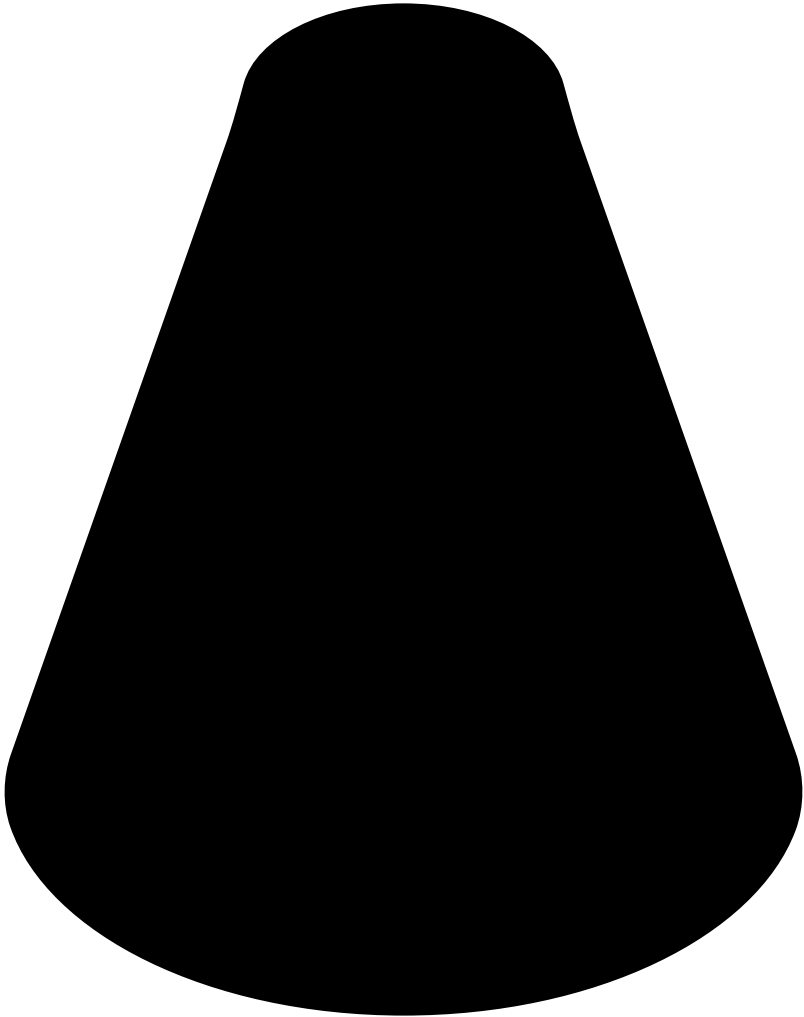


# Dusk Lamp



**Assembly  
Instruction**

# Dusk Lamp

## *The softest glow*

The Dusk Lamp's easy curves and understated form, as well as its soft, ambient glow, are evocative of the classic Japanese paper lantern. Made from hand-blown glass by skilled craftspeople, the Dusk Lamp is a lighting choice for atmospheric interiors, romantic corners, or anywhere that calls for subtle styling. Gloss and matte shades are available in anthracite or ivory variations. The Dusk Lamp is designed by Sylvain Willenz and works effectively as a singular statement piece or in a group.

### Warning:

- ! The safety of this fixture is only guaranteed if the following instructions have been observed.
- ! Always disconnect power before working on fixture.
- ! Fixture must not be installed in any position other than shown in instructions.
- ! Assembly and maintenance of fixture must be performed carefully so as not to damage components.
- ! Replacement bulbs must be of same type and wattage as specified in instructions.
- ! Metal surfaces, glass or other parts of fixture may be cleaned with a soft damp cloth and mild detergent. Do not use alcohol or solvents.
- ! The company will replace merchandise with manufacturing defect only if it is returned to the retailer from which it was purchased.
- ! The company will not provide a replacement until nature of defect has been determined.



Luminaires designed for use with self-shielded tungsten halogen lamp or only.



Class I luminaire: it's necessary to connect the device to the yellow / green protective conductor (earthing).



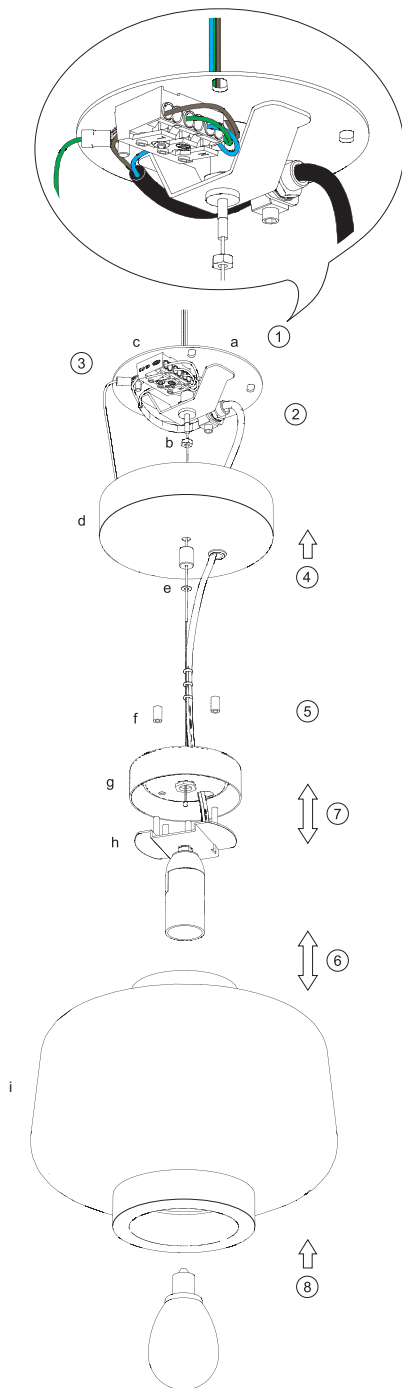
It certifies the conformity of the product to the european community low voltage directives.



Symbol WEEE (Waste Electrical and Electronic Equipment)  
The use of the WEEE symbol indicates that this product may not be treated as household waste. For more detailed information about recycling of this product, please contact your local authority, your household waste disposal service provider or the store where you purchased the product.

1. Fix the plate (a) to the ceiling. Please check that the electrical wires are directed towards the hole for the cables.
2. Check that the lamp will hang at the desired height. To release the iron wire again, push the nut (b) up and pull the wire down at the same time. Secure the iron wire with the nut.
3. Connect the wires using the terminal blocks (c).
4. Secure cover (d) and fix into place with the screw (e).
5. Unscrew the 2 pins (f) to separate the bracket (h) from the upper ring (g).
6. Insert the bracket into the lampshade (i), taking care not scratch the glass.
7. Secure the bracket to the top ring with the 2 pins (f).
8. Insert and screw the bulb into place. Avoid touching the bulb with bare hands.

Light bulb: E27 max 60W



Should you have any problems assembling your product, contact us at [info@hem.com](mailto:info@hem.com). We're always happy to help!

We have carefully selected the materials used in this product, and ask you to treat it responsibly too.  
Please recycle all packaging according to your local disposal rules.

# Hem