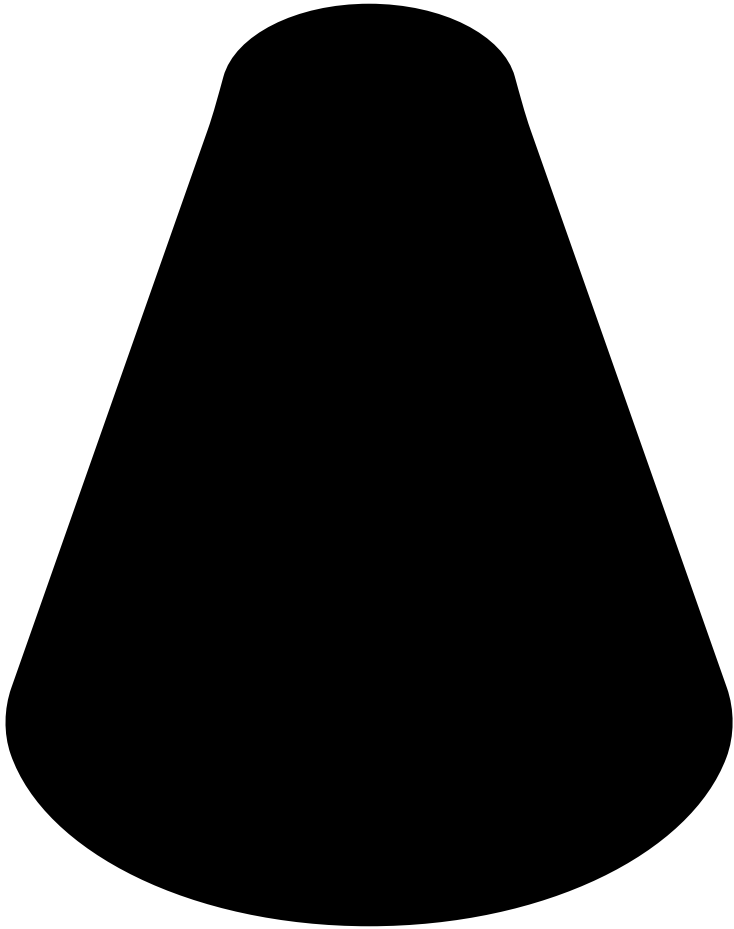


# **Alphabeta Pendant Light**



## **Assembly Instruction**

# Alphabeta Pendant Light

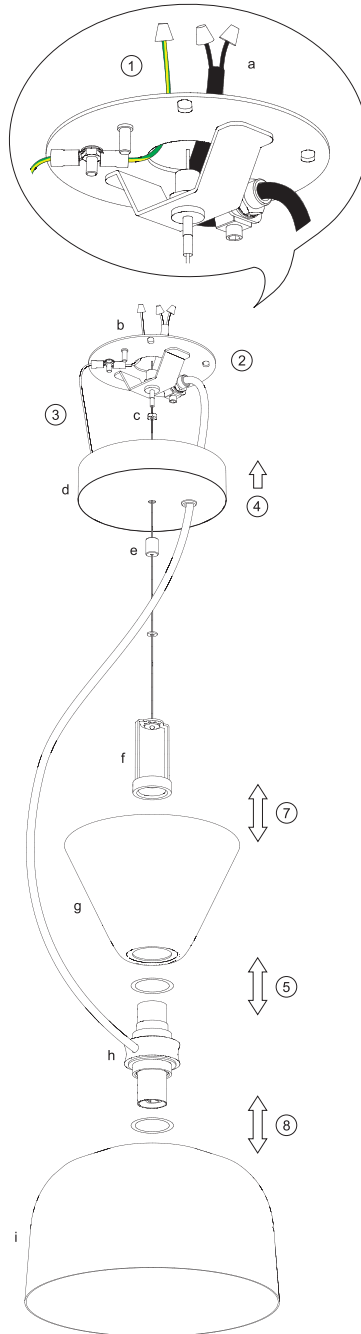
## *Multiplicity*

Variety and flexibility are at the heart of the modular Alphabeta lighting system by Luca Nichetto. Eight different shade shapes in eight powder-coated colors equate to a plethora of possibilities—1024 to be exact. Whatever your aesthetic, from strict and somber all-black to playful and flamboyant color combinations, sharp lines or voluptuous forms, Alphabeta can accommodate them all. Alphabeta are bidirectional—meaning they emit light from both the top and the bottom of the shade—so that you need not choose between spotlight and ambient light but can enjoy both. The Alphabeta Pendant Lights hang on a metal wire, with a sinuous cable adding a curvaceous detail. Pendants can be used singularly or in groups for an impactful installation. Every turned-steel shade and milled part is made in Italy.

### WARNING:

- ! The safety of this fixture is only guaranteed if the following instructions have been observed.
- ! Always disconnect power before working on fixture.
- ! Fixture must not be installed in any position other than shown in instructions.
- ! Assembly and maintenance of fixture must be performed carefully so as not to damage components.
- ! Replacement bulbs must be of same type and wattage as specified in instructions.
- ! Metal surfaces, glass or other parts of fixture may be cleaned with a soft damp cloth and mild detergent. Do not use alcohol or solvents.
- ! The company will replace merchandise with manufacturing defect only if it is returned to the retailer from which it was purchased.
- ! The company will not provide a replacement until nature of defect has been determined.
- ! DO NOT USE FORCE TO ASSEMBLE THE LAMP.
- ! DO NOT OVER-TIGHTEN THE COMPONENTS WHEN ASSEMBLING.
- ! DO NOT DISSEMBLE THE LAMP WHILE STILL WARM. ALLOW TO COOL FOR AT LEAST ONE HOUR BEFORE HANDLING.

1. Fix the plate (b) to the ceiling. Please check that the electrical wires are directed towards the hole for the cables.
2. Check that the lamp will hang at the desired height. To release the iron wire, loosen the nut (c) and push it up to pull the wire down. Secure the iron wire by retightening the nut.
3. Connect the matching wires to each other (a). Green & Yellow = Neutral
4. Place the cover (d) over the electrics and secure into place with the fixture (e).
5. With the silicone rings in between, screw the upper shade (g) to the connecting heartpiece (h). Do not screw too tightly.
6. Fix the lightbulb into the upper part of the connecting heartpiece. Avoid touching the lightbulb with bare hands. G9 Lampholder Max 50W
7. Screw the steel cage (f) to the connecting heartpiece. Do not screw too tightly.
8. Screw the bottom shade (i) to the connecting heartpiece. Do not screw too tightly.
9. Place the lightbulb into the lower lamp. Avoid touching the bulb with bare hands. Halogen bulb:
10. MAX 2x 50W G9 120V.



Should you have any problems assembling your product, contact us at [info@hem.com](mailto:info@hem.com). We're always happy to help!

We have carefully selected the materials used in this product, and ask you to treat it responsibly too.  
Please recycle all packaging according to your local disposal rules.

# Hem