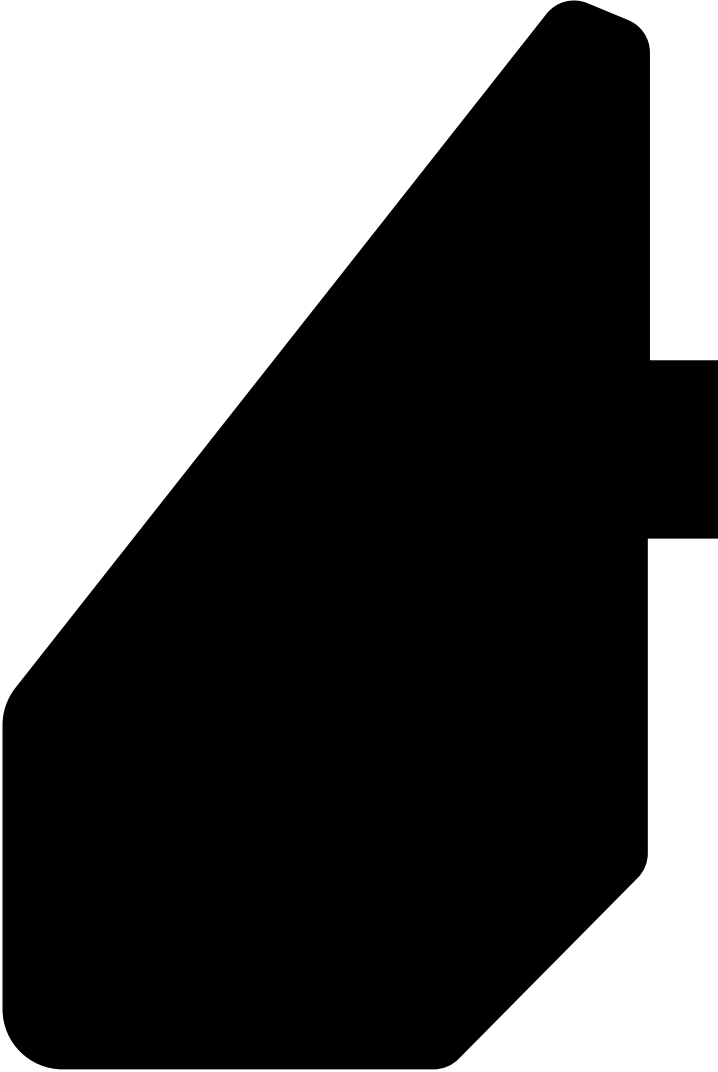


# Alle Round Table



**Assembly  
Instruction**

## Alle Round Table

### *Subtle detailing*

The solid-oak Alle Tables by Staffan Holm are a family of furniture that is especially Hem: traditional modes of making reclaimed for modern manufacture; good looks and practicality given equal consideration; engineering and hand-work combined; quality materials used liberally. The Alle Round Table shares the same key features as the other members of the family, in particular a softly rounded edge and a clever construction that requires no tools for assembly. Alle means “everyone” in German, and this table is a true reflection of the design principles we cherish. The Round Media variation of the Alle Table comes with media ports and hidden compartments for neat storage and cable management, helping you work more efficiently.

Parts



3 × Knobs



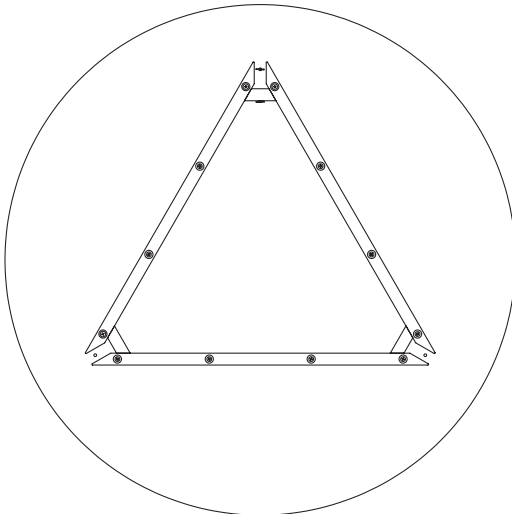
3 × M10 Split washers



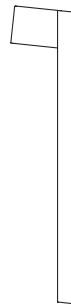
6 × M10 Washers



3 × Hem coin nuts



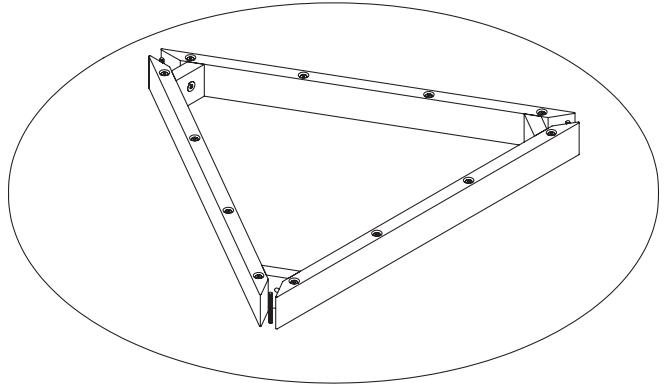
1 × Table centre



3 × Legs

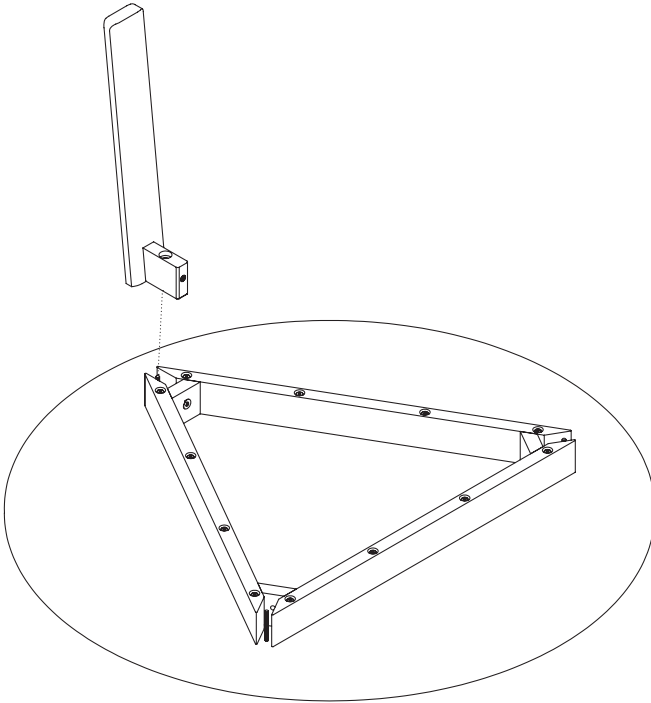
**Step 1**

Place the table top on a soft surface, facing down.



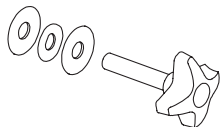
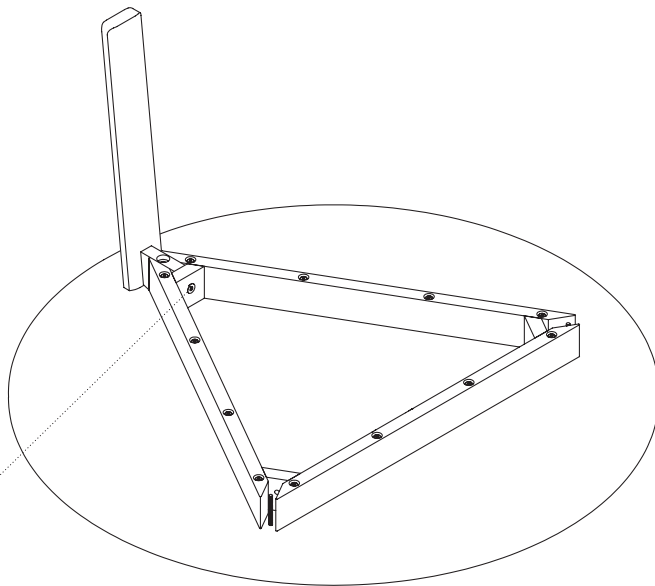
**Step 2**

Take one of the legs and place it onto the hangerbolt coming out of the table top.



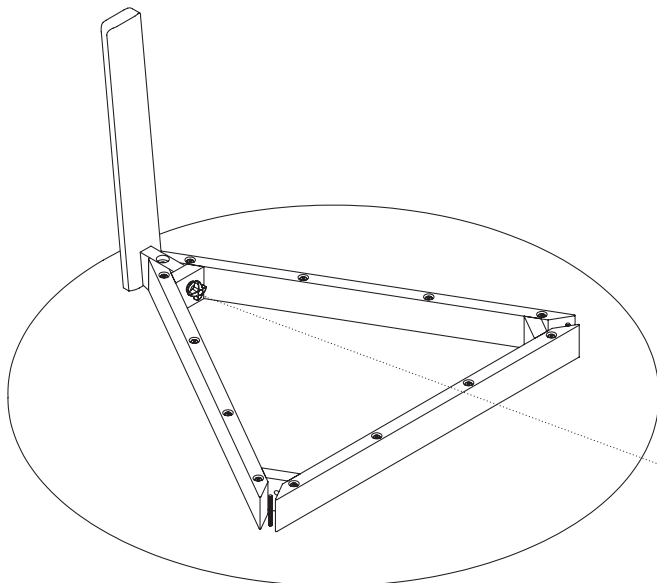
**Step 3**

Thread a total of three washer onto the knob. First washer, second split washer, third washer. Insert the knob into the circular cutout and into the leg. Tighten firmly.



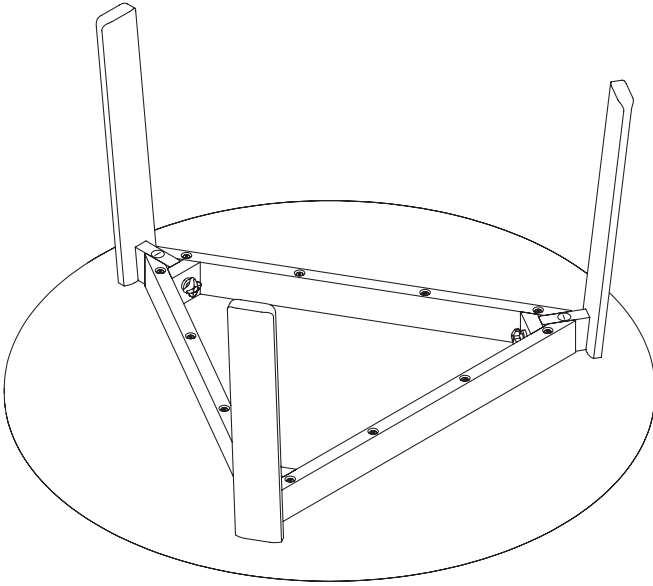
**Step 4**

Take the Hem Coin Nut and work it into the leg's circular cutout. Take any fitting coin to tighten the nut firmly.



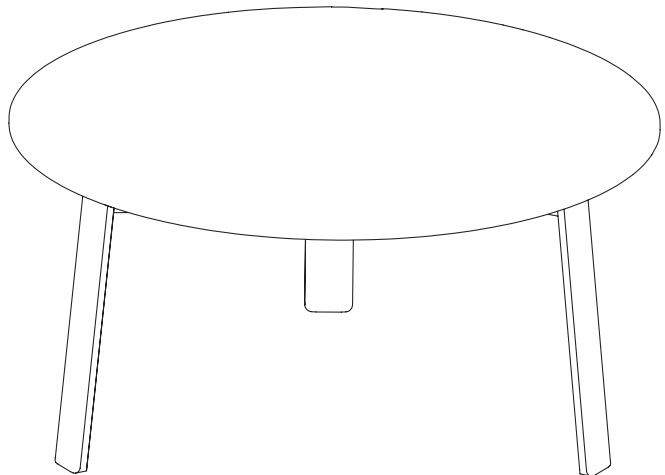
**Step 5**

Repeat step 2– 4 for the two other legs.



**Step 6**

Flip the table and your Alle Round Table is now ready assembled.



Should you have any problems assembling your product, contact us at [info@hem.com](mailto:info@hem.com). We're always happy to help!

We have carefully selected the materials used in this product, and ask you to treat it responsibly too.  
Please recycle all packaging according to your local disposal rules.

# Hem