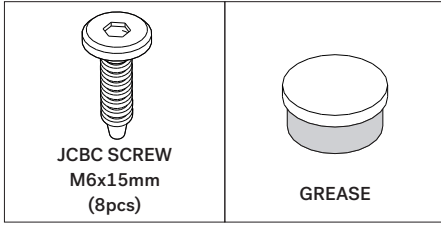
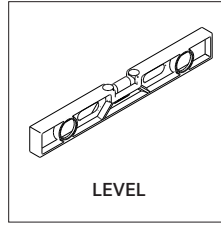


SWIVEL TRAY SIDE TABLE - VARNISHED TEAK - BLACK ASSEMBLY INSTRUCTIONS

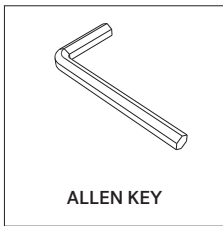
HARDWARE ENCLOSED



TOOL REQUIRED



TOOL ENCLOSED

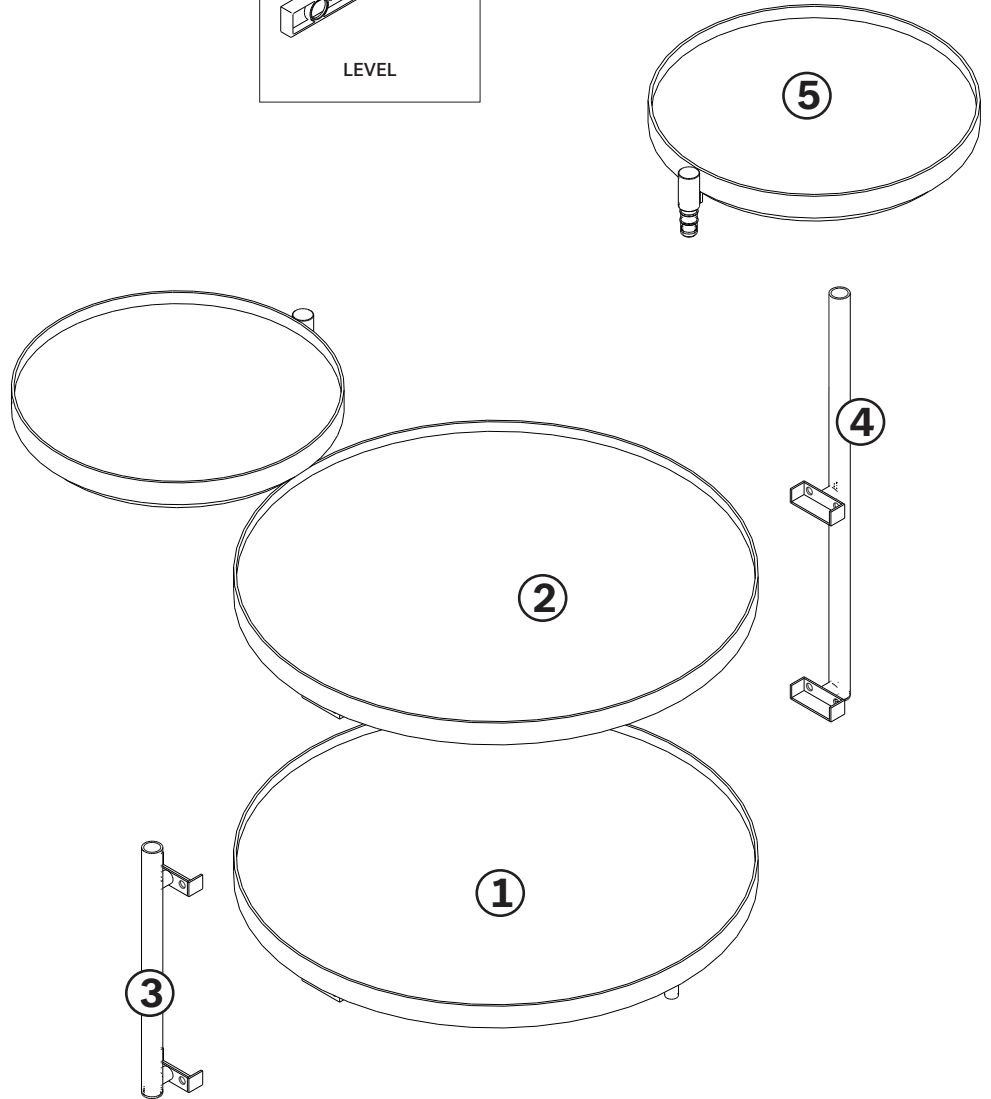


IN YOUR PACKAGE

ASSEMBLY INSTRUCTIONS
HARDWARE (AS LISTED ABOVE)

PARTS TO BE INSTALLED

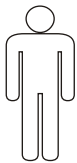
1. BOTTOM PLATTER 1pc
2. MIDDLE PLATTER 1pc
3. SHORT BAR 1pc
4. LONG BAR 1pc
5. TOP PLATTER 1pc



SYMBOLS



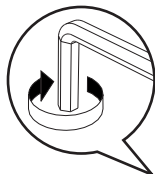
DIRECTION



NUMBER OF
PERSON NEEDED

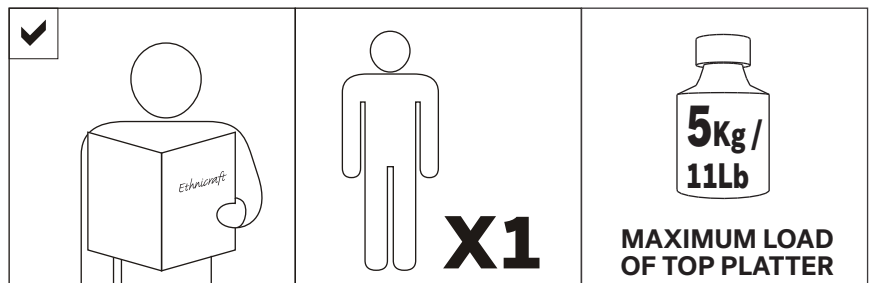


USE HAND



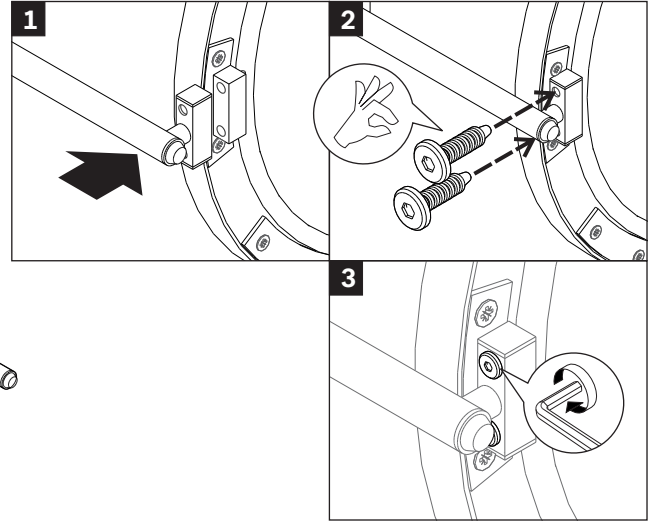
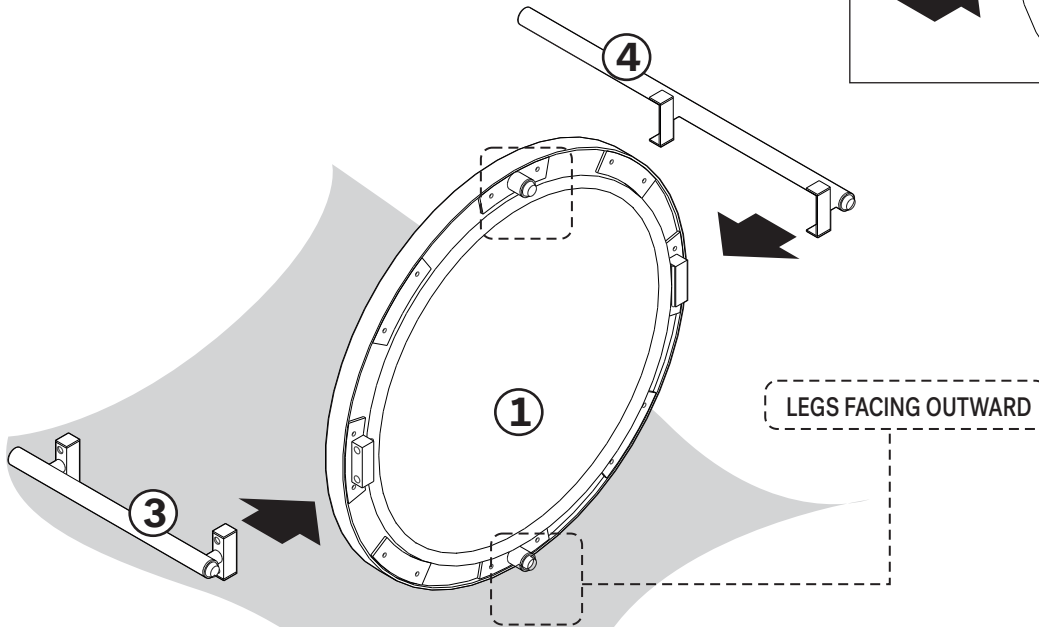
USE ALLEN KEY
TO TIGHTEN

NOTICE



SWIVEL TRAY SIDE TABLE - VARNISHED TEAK - BLACK ASSEMBLY INSTRUCTIONS

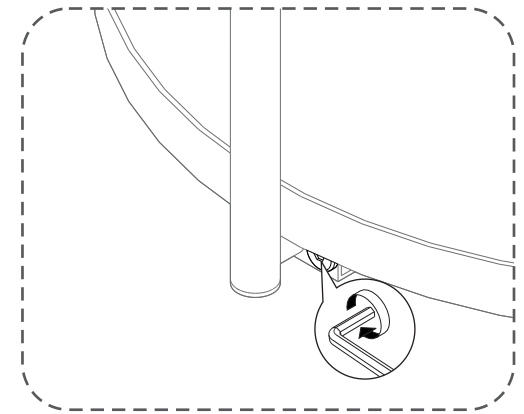
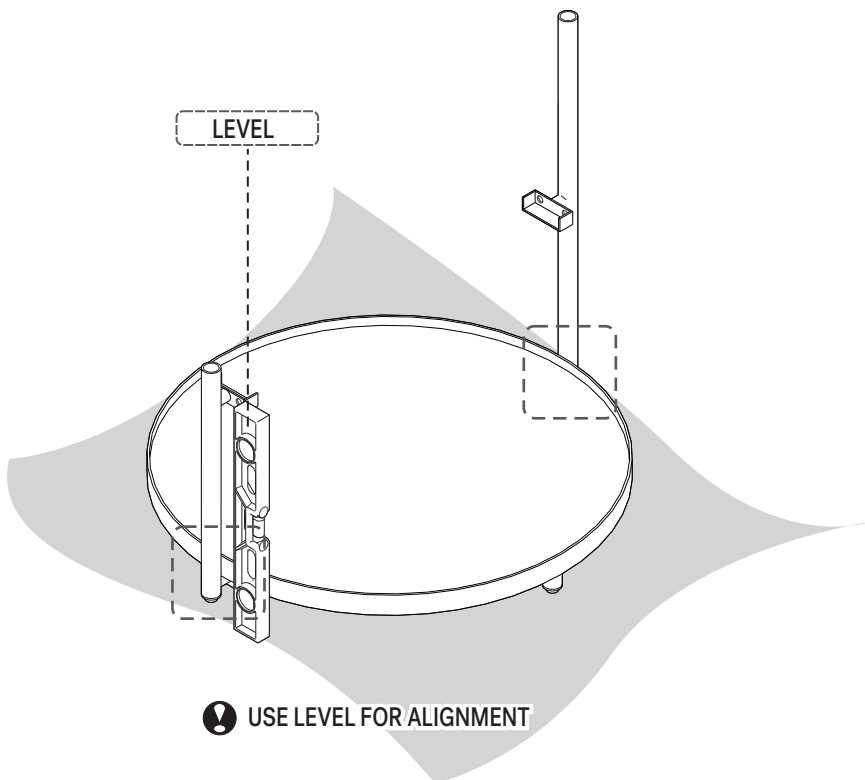
1 INSTALLING SHORT & LONG BARS TO BOTTOM PLATTER



- ! - USE JCBC SCREW M6x15mm (X4)
- DO NOT FULLY TIGHTEN

- ! WORK ON A SOFT SURFACE SUCH AS CARPET OR THICK DROPCLOTH TO AVOID DAMAGING THE PRODUCT DURING ASSEMBLY.

2 ADJUST BAR ALIGNMENT

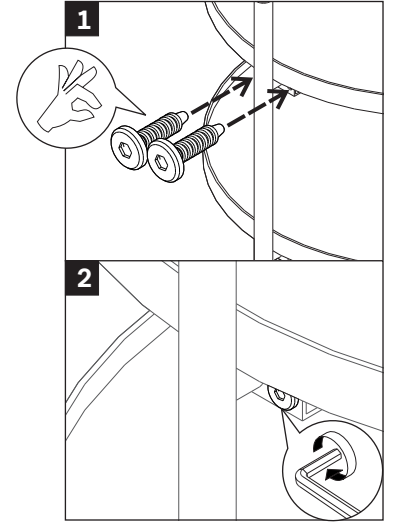
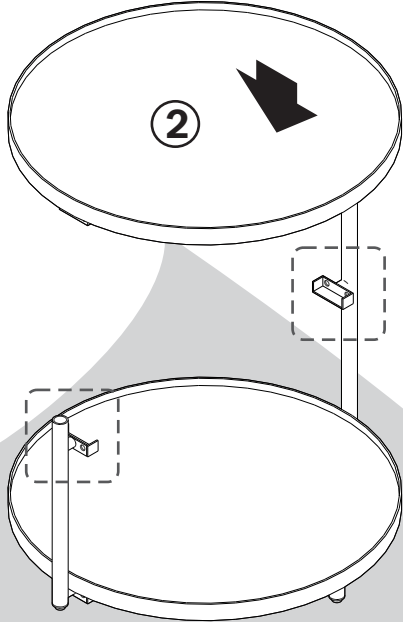


- ! TIGHTEN FULLY ONCE THE BARS ARE ALIGNED

- ! USE LEVEL FOR ALIGNMENT

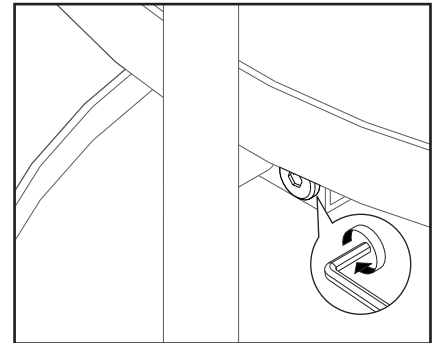
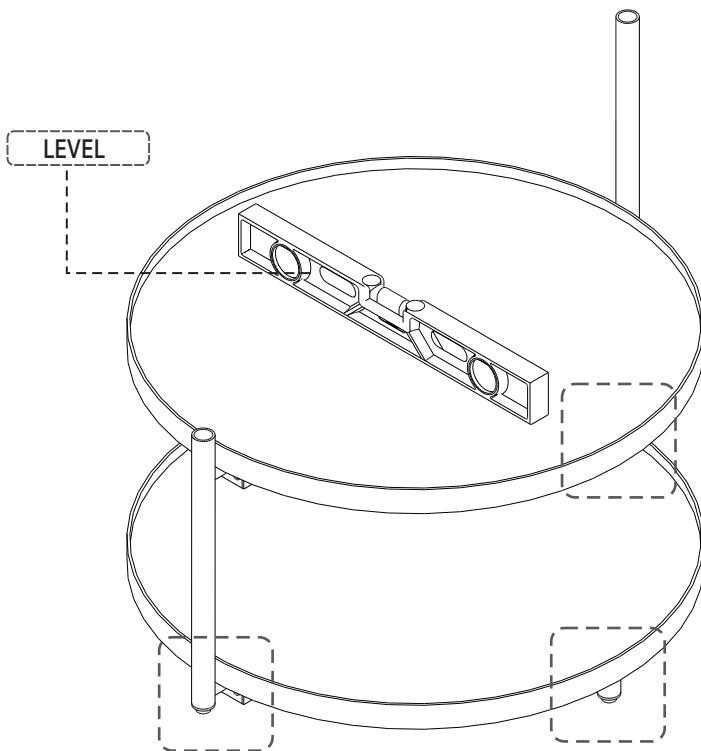
SWIVEL TRAY SIDE TABLE - VARNISHED TEAK - BLACK ASSEMBLY INSTRUCTIONS

3 INSTALLING MIDDLE PLATTER

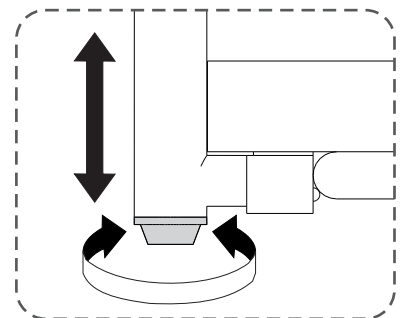


- ! - USE JCBC SCREW M6x15mm (X4)
- DO NOT FULLY TIGHTEN

4 ADJUST MIDDLE PLATTER FLATNESS



- ! TIGHTEN FULLY ONCE THE MIDDLE PLATTER IS FLAT

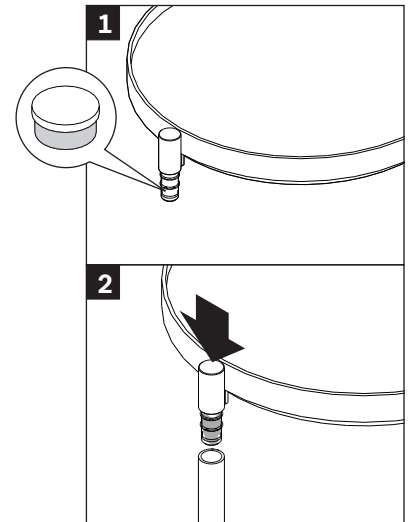
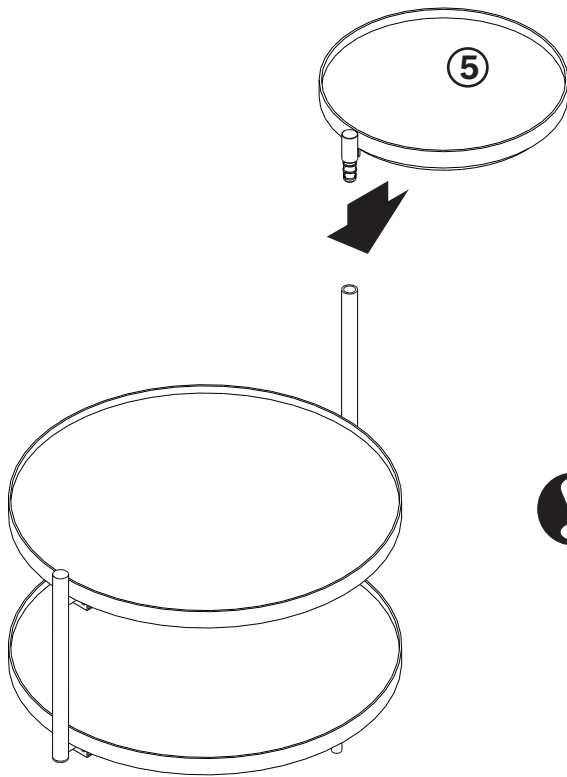


- ! USE LEVEL FOR ALIGNMENT

NOTE :
THIS IS A COMPULSORY ACTION TO MAKE SURE ALL OF ADJUSTABLE GLIDE TOUCH THE GROUND!

SWIVEL TRAY SIDE TABLE - VARNISHED TEAK - BLACK ASSEMBLY INSTRUCTIONS

5 INSTALLING TOP PLATTER



- APPLY SMALL AMOUNT OF GREASE TO THE ROD OF THE TOP PLATTER
- REAPPLY GREASE WHENEVER MOVEMENT OF THE TOP PLATTER BECOMES DIFFICULT

6 FINISH

