


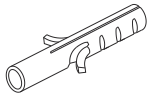
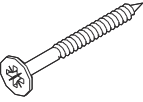


## 10496 GEOMETRIC RACK - VARNISHED TEAK - BROWN ASSEMBLY INSTRUCTIONS FOR ANTI-TIPPING INSTALLATION

### HARDWARE ENCLOSED

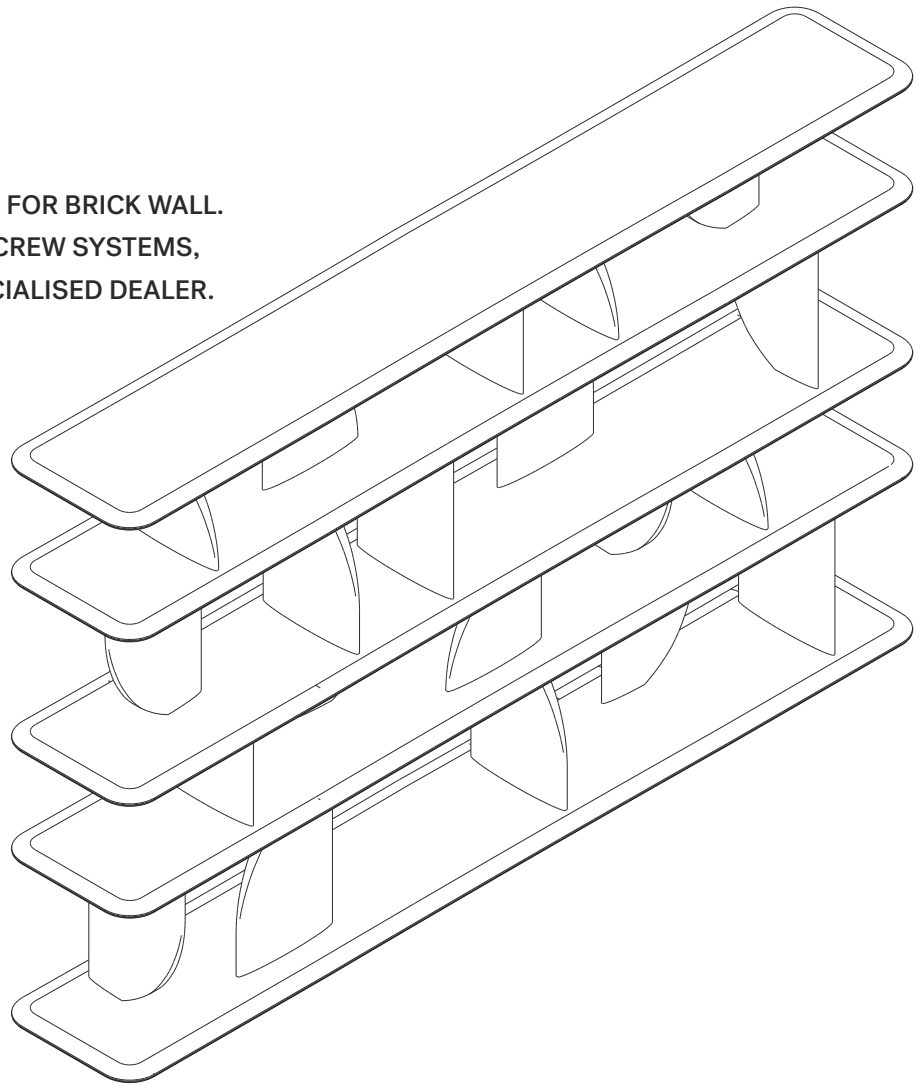
		
(2X) BELT ANTI-TIPPING	(2X) SCREW M4x20mm	(2X) WASHER M5
		
(2X) WALL PLUG S8x40mm	(2X) WALL SCREW M4x50mm	

### TOOLS REQUIRED

		
SCREW DRIVER (not included in package)	POWER DRILL (not included in package)	PENCIL (not included in package)



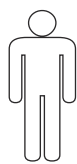
AS WALL MATERIALS VARY,  
THE SCREWS INCLUDED ARE FOR BRICK WALL.  
FOR ADVICE ON SUITABLE SCREW SYSTEMS,  
CONTACT YOUR LOCAL SPECIALISED DEALER.



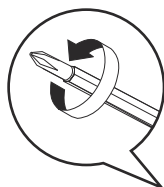
### SYMBOLS



DIRECTION



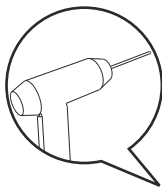
NUMBER OF  
PERSONS NEEDED



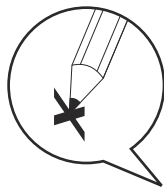
USE SCREWDRIVER  
TO TIGHTEN



USE HAND

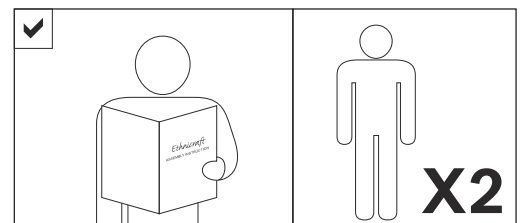


USE DRILL



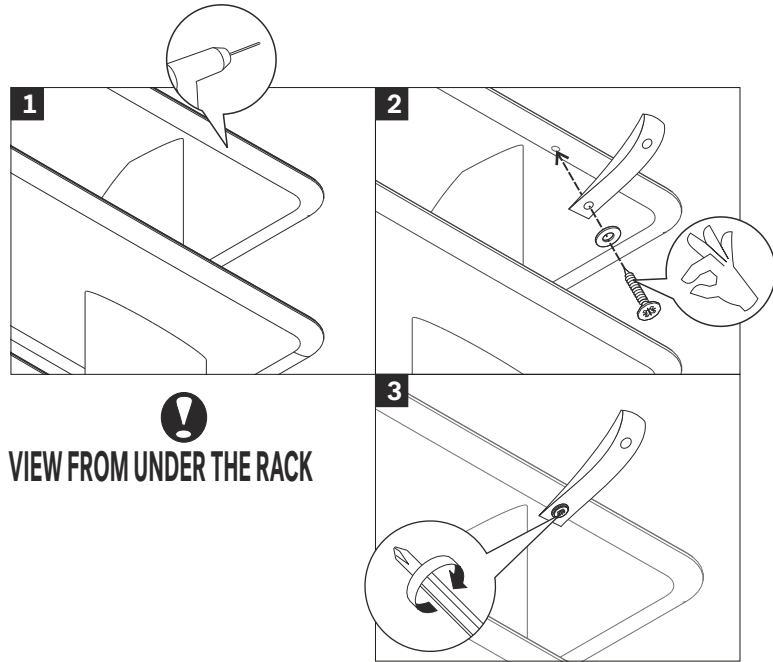
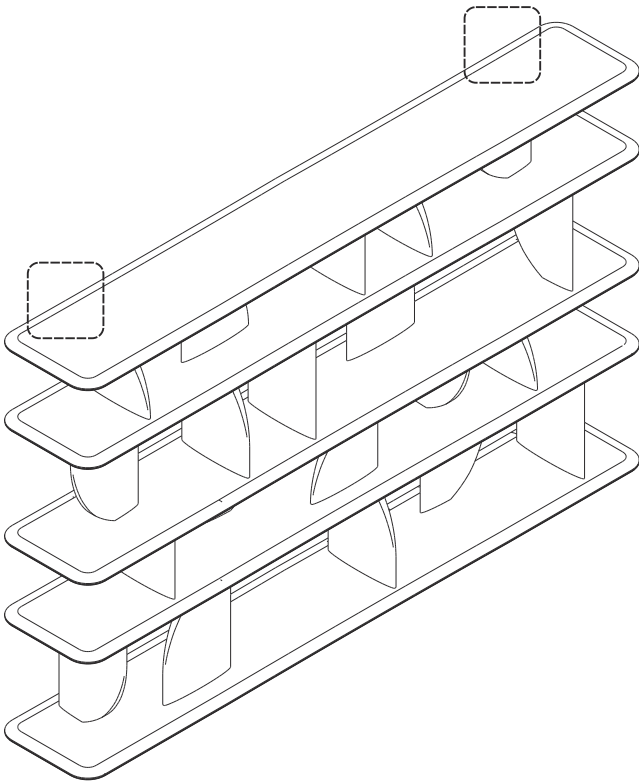
USE PENCIL

### NOTICE



10496 GEOMETRIC RACK - VARNISHED TEAK - BROWN  
 ASSEMBLY INSTRUCTIONS FOR ANTI-TIPPING INSTALLATION

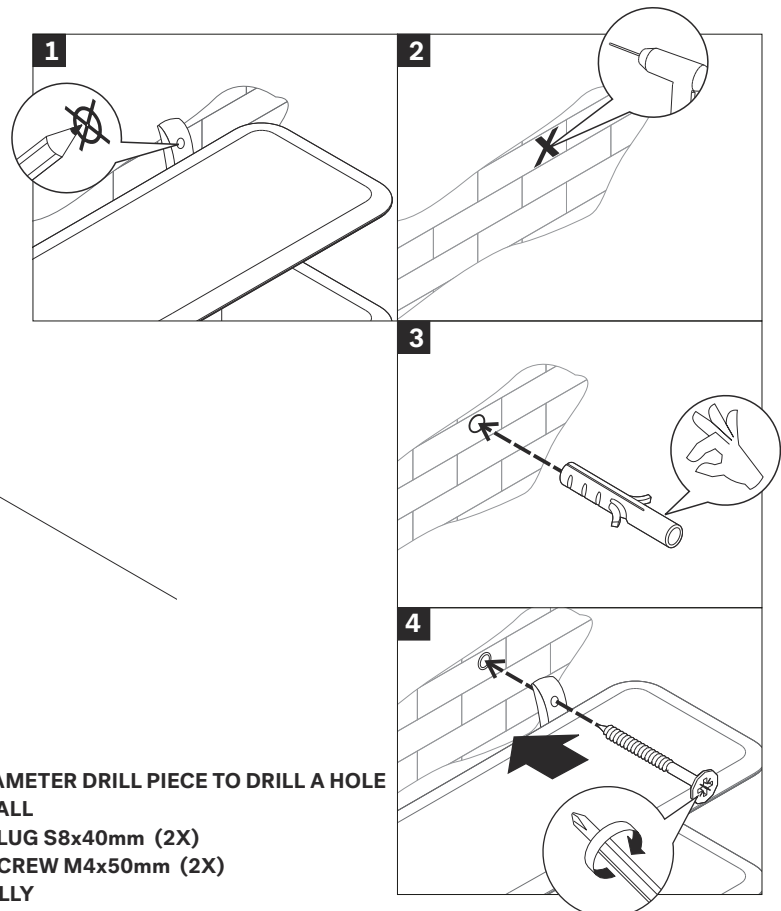
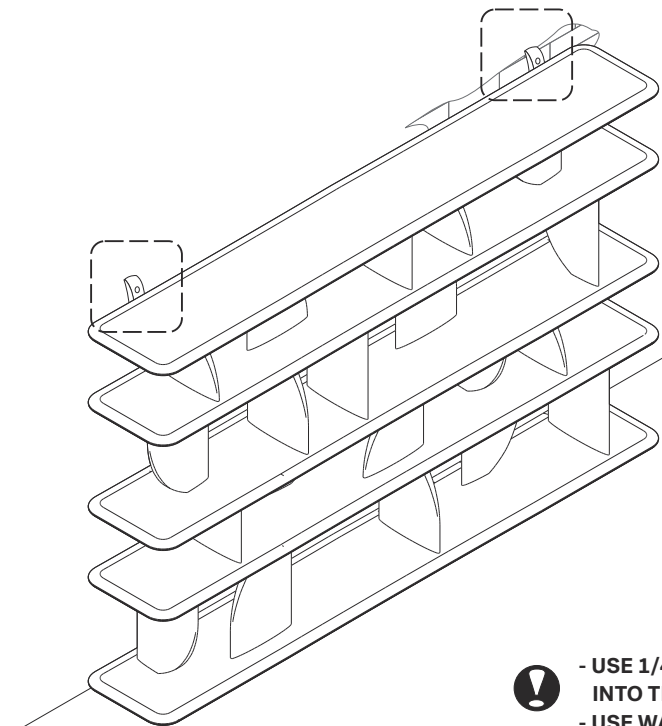
**INSTALLING ANTI-TIPPING TO THE RACK**



**VIEW FROM UNDER THE RACK**

- ! - USE POWER DRILL TO CAREFULLY DRILL A HOLE IN THE BACK OF THE RACK
- USE SCREW M4x20mm (2X)
- USE WASHER M5 (2X)
- USE ANTI-TIPPING BELT (2X)
- TIGHTEN FULLY

**CONNECTING ANTI-TIPPING TO THE WALL**



- ! - USE 1/4" DIAMETER DRILL PIECE TO DRILL A HOLE INTO THE WALL
- USE WALL PLUG S8x40mm (2X)
- USE WALL SCREW M4x50mm (2X)
- TIGHTEN FULLY