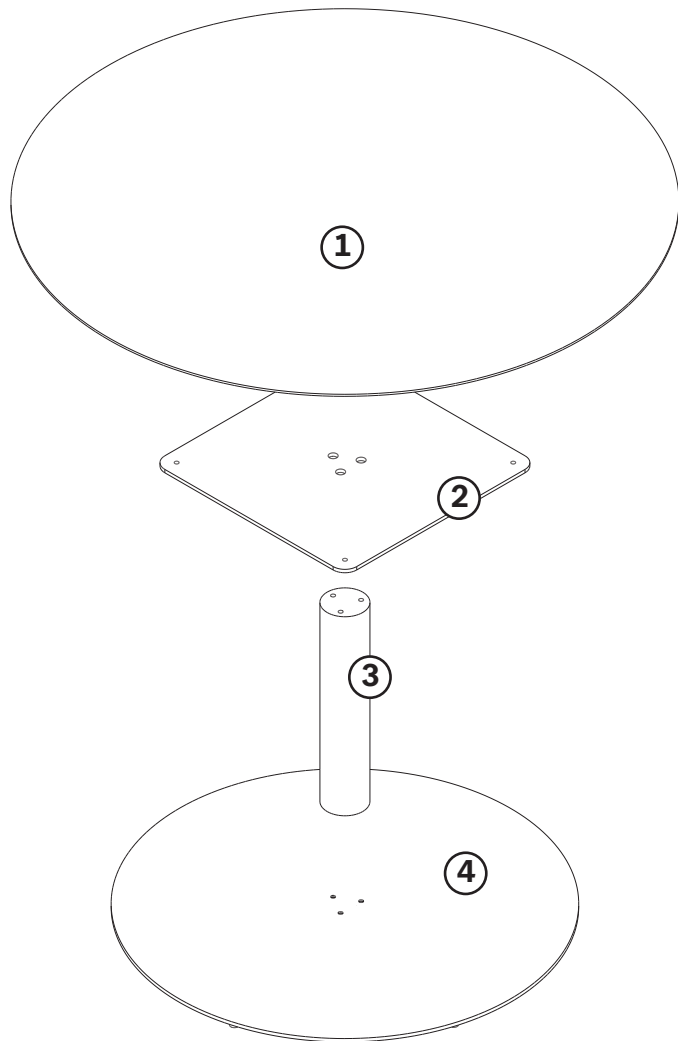
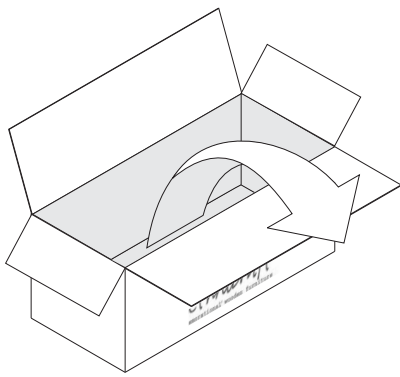
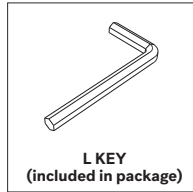


## TEXTURE SPHERE COFFEE TABLE ASSEMBLY INSTRUCTIONS FOR TABLE INSTALLATION

### HARDWARE ENCLOSED



### TOOL



### IN YOUR PACKAGE :

ASSEMBLY INSTRUCTION  
HARDWARES (AS LISTED ABOVE)

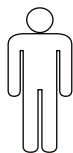
### PARTS TO BE INSTALLED

1. TABLE TOP 1 pc
2. METAL PLATE (UNDER APRON) 1 pc
3. CENTER LEG 1 pc
4. METAL BASE 1pc

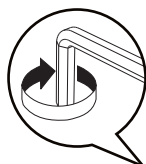
### SYMBOLS



DIRECTION

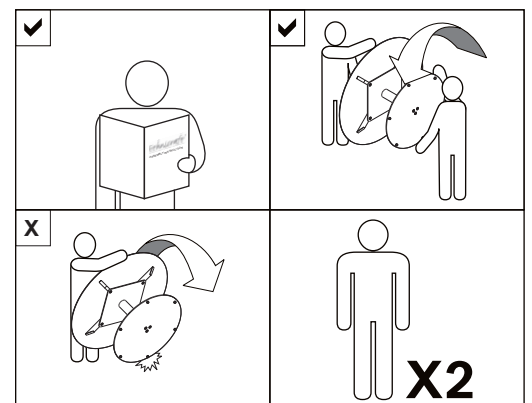


NUMBER OF  
PERSONS NEEDED



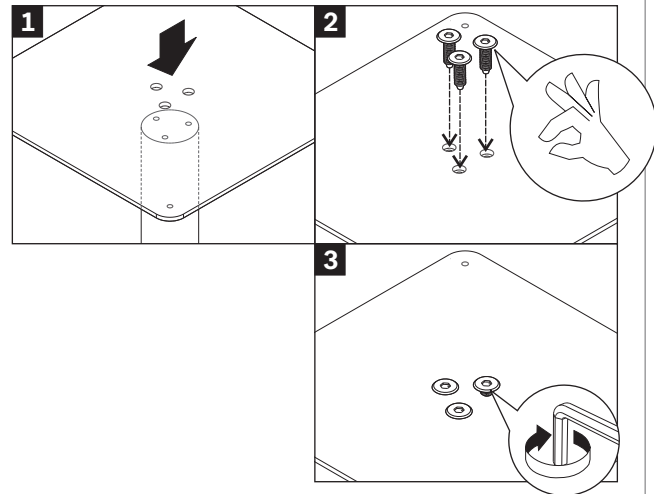
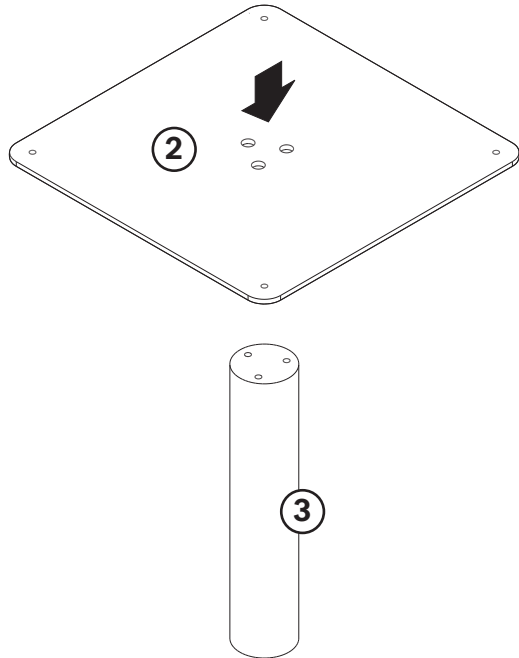
USE L KEY  
TO TIGHTEN

### NOTICE



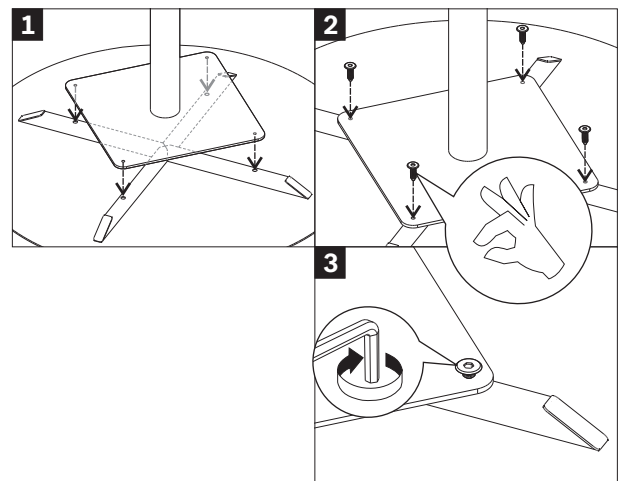
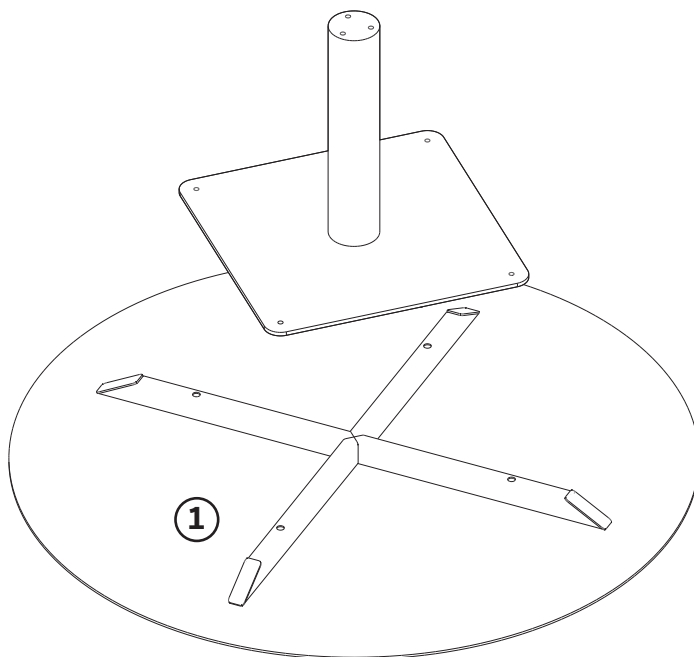
## TEXTURE SPHERE COFFEE TABLE ASSEMBLY INSTRUCTIONS FOR TABLE INSTALLATION

### A INSTALLING METAL PLATE TO THE CENTER LEG



**!** TIGHTEN FULLY ALL SCREWS

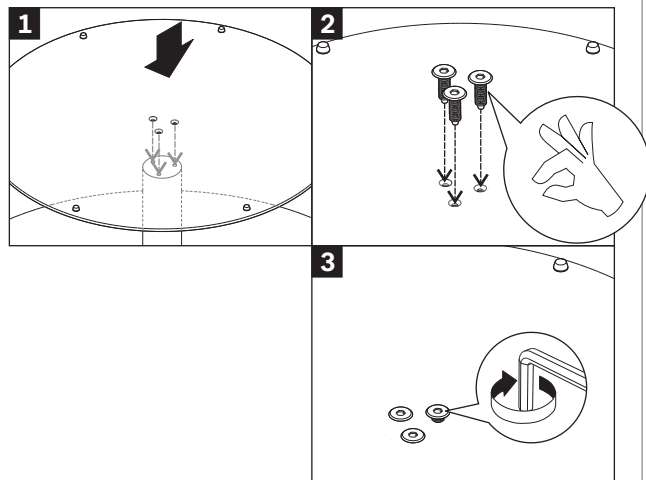
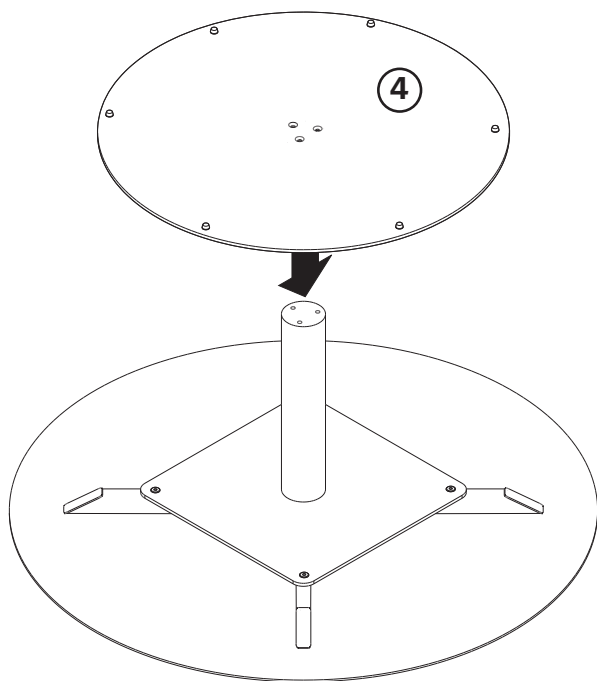
### B INSTALLING CENTER LEG TO TABLE TOP



**!** TIGHTEN FULLY ALL SCREWS

## TEXTURE SPHERE COFFEE TABLE ASSEMBLY INSTRUCTIONS FOR TABLE INSTALLATION

### C INSTALLING METAL BASE



**!** TIGHTEN FULLY ALL SCREWS

### D FINISH

