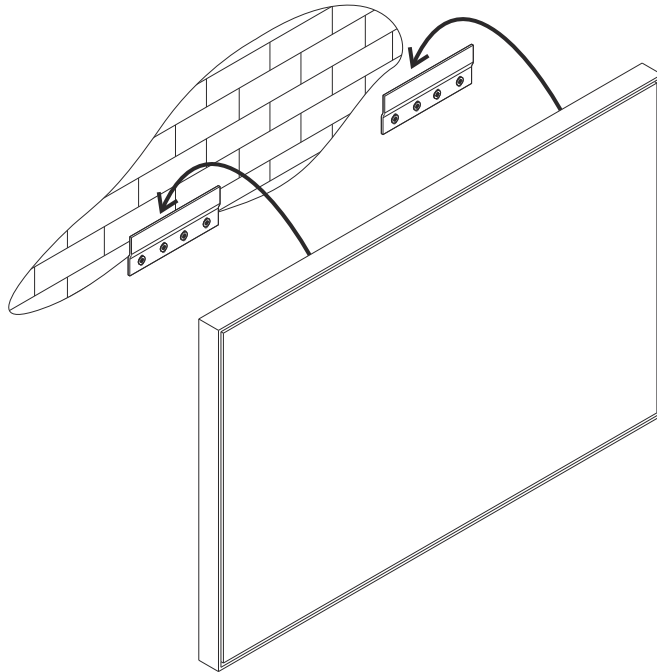


WALL ART BRICKS - 50 / 60 - 90 / 60

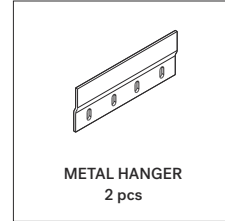
ASSEMBLY INSTRUCTION FOR WALL ART INSTALLATION



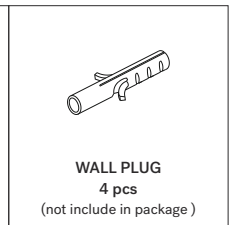
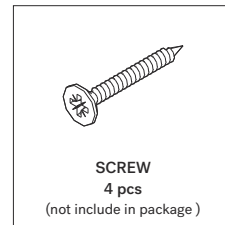
AS WALL MATERIALS VARY, SCREWS FOR FIXING TO WALL ARE NOT INCLUDED. FOR ADVICE ON SUITABLE SCREW SYSTEMS, CONTACT YOUR LOCAL SPECIALISED DEALER.



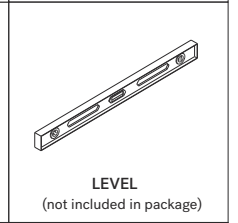
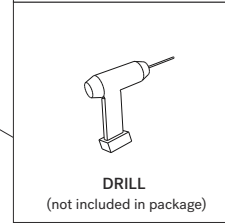
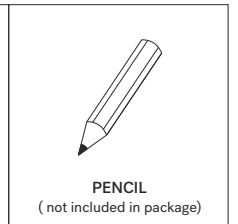
HARDWARE ENCLOSED



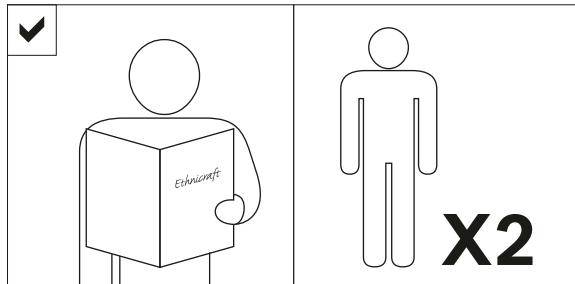
HARDWARE (not included in package)



TOOLS



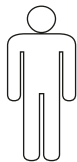
NOTICE



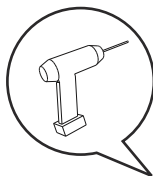
SYMBOLS



DIRECTION



NUMBER OF
PERSON NEEDED



USE DRILL



USE PHILLIPS SCREWDRIVER
TO TIGHTEN



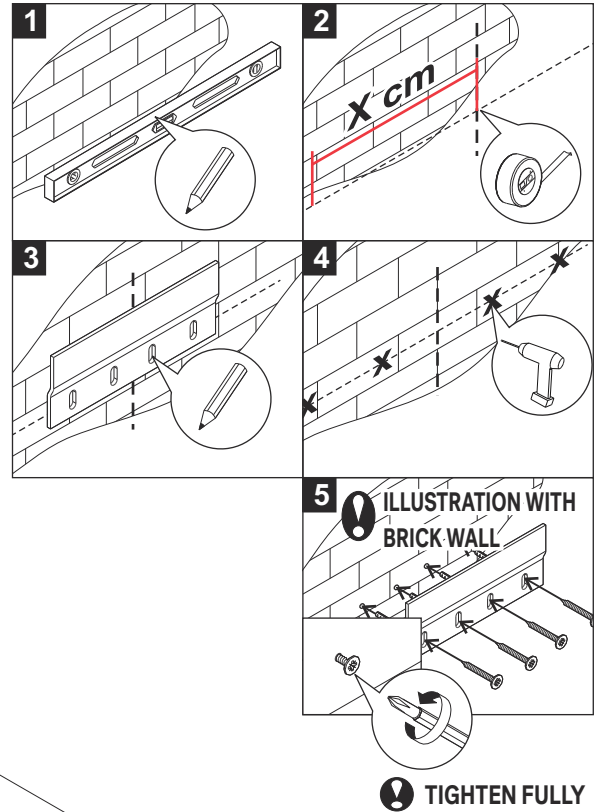
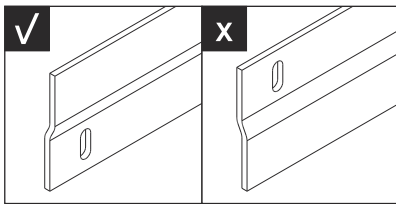
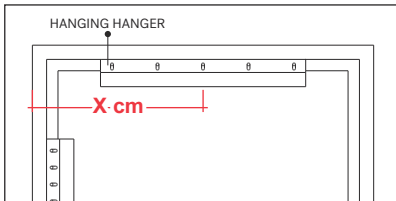
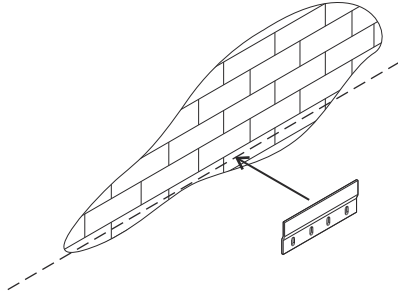
USE PENCIL



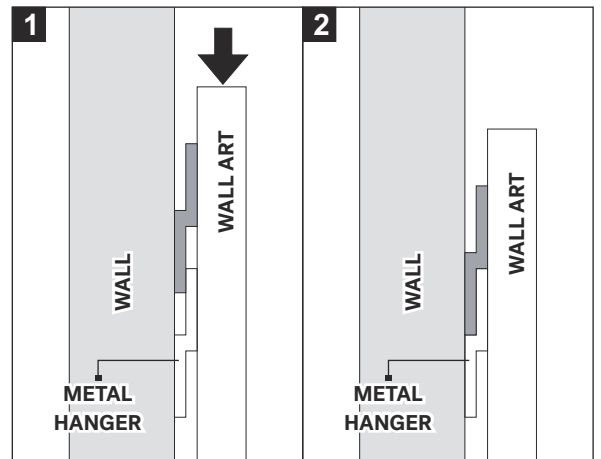
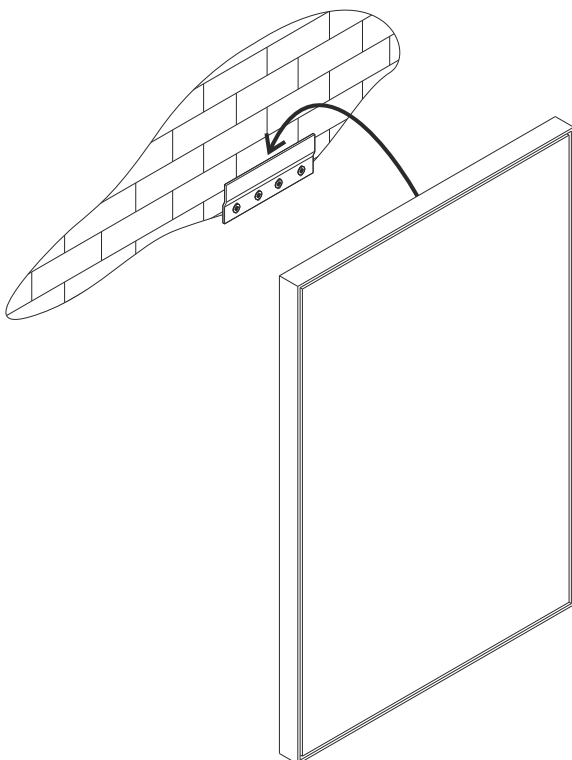
USE MEASURING TOOL

1 INSTALLING METAL HANGER ON THE WALL

VERTICAL POSITION

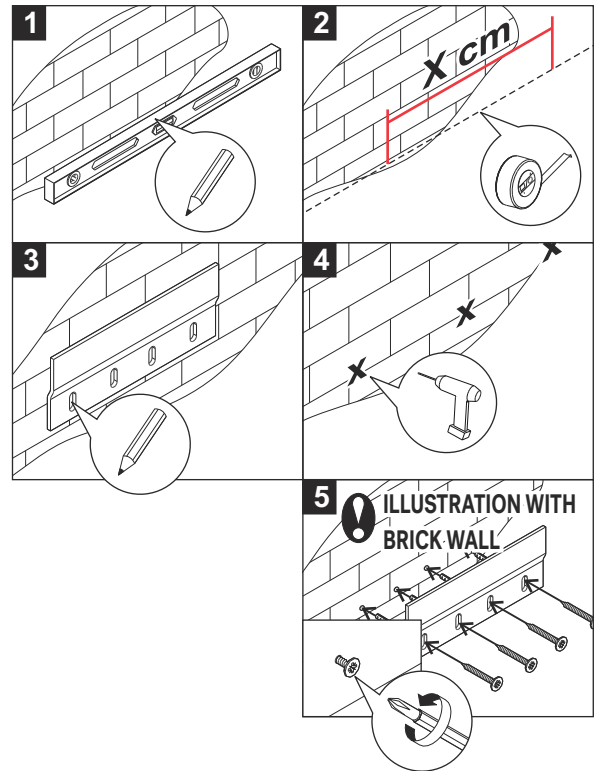
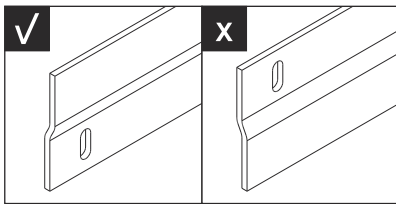
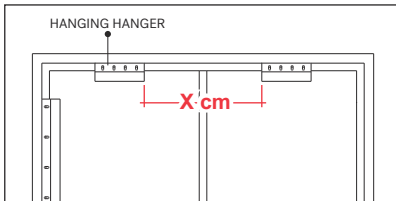
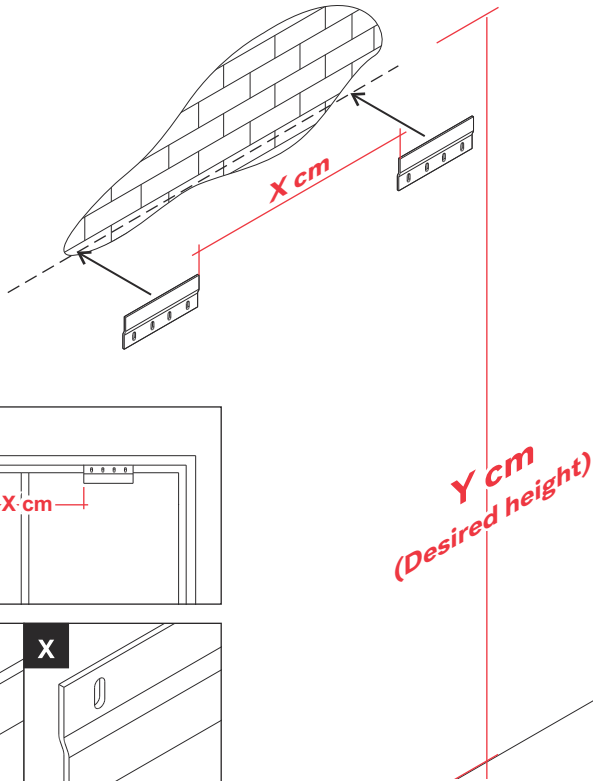


2 HANGING WALL ART TO THE METAL HANGER



1 INSTALLING METAL HANGER ON THE WALL

HORIZONTAL POSITION



- ! - TIGHTEN FULLY
- REPEAT THOSE STEPS FOR OTHER PART

2 HANGING WALL ART TO THE METAL HANGER

